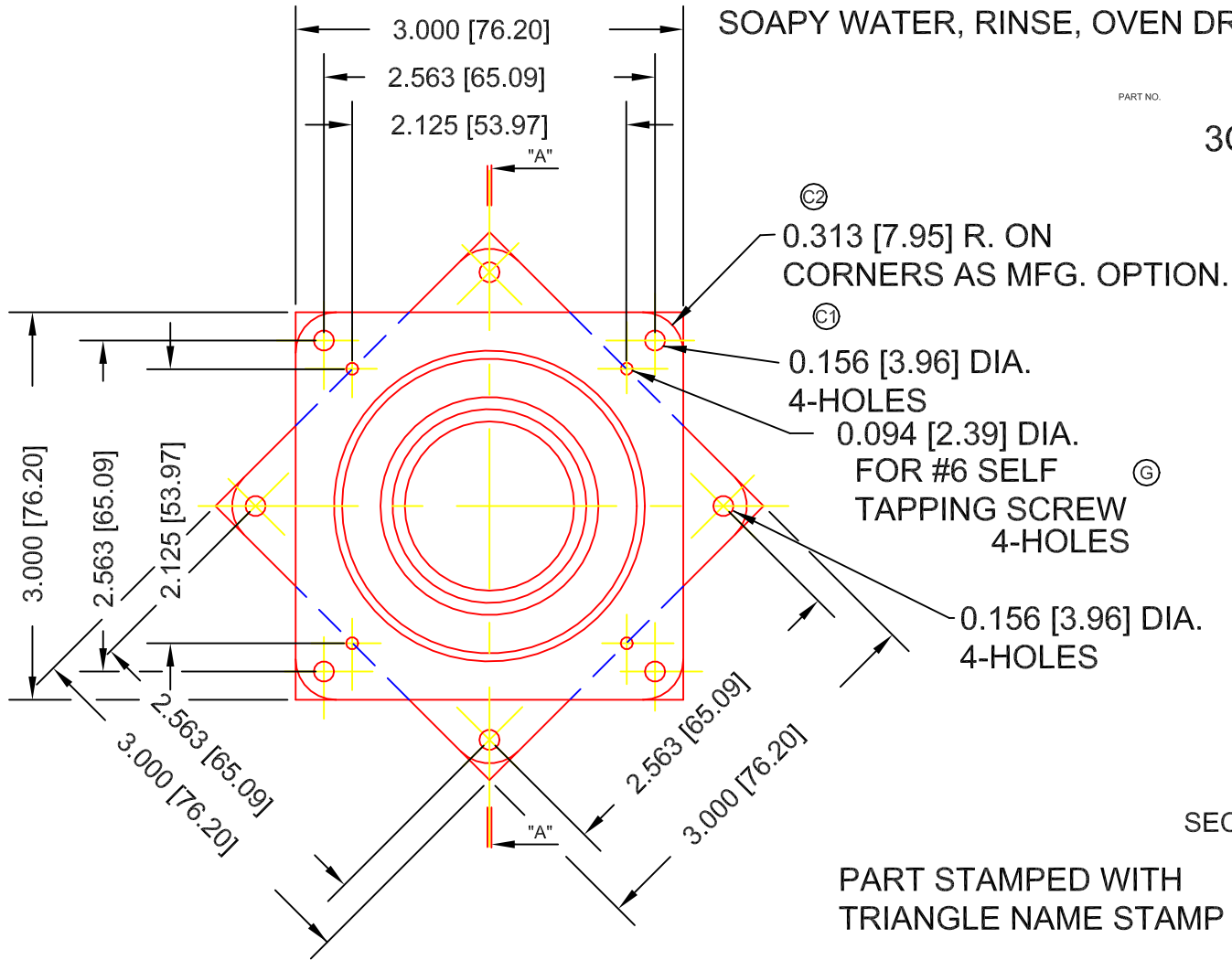
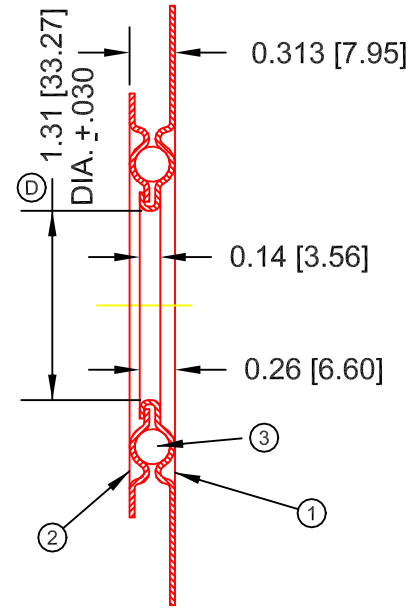


THERE MAY BE 2 TO 4 BALLS LEFT OUT DUE TO MANUFACTURING PROCESS.

CAUTION: PROTECT BALLS AND RACES FROM SAWDUST, DIRT, PAINT, ETC. SHOULD BEARING BECOME "ROUGH" FROM DIRTY RACES, FLUSH THOROUGHLY WITH HOT SOAPY WATER, RINSE, OVEN DRY AND RE-OIL.



PART NO.  
**3C**



SECTION "A-A"

PART STAMPED WITH TRIANGLE NAME STAMP

DET	PART NUMBER	DESCRIPTION	AMT
3	BALLS3	BALL	1
2	1089	PLAIN RACE	1
1	1101	LOCKING RACE	1

**B** TRIANGLE MANUFACTURING CO.

NAME 3" LAZY SUSAN BRG.

FIT	////	USED IN	////
PLATING	ELECTRO-GALV	DATE	10-17-59
MATERIAL	SEE DET.	DRAWN	SP
ALL DIMS ±.020 UNLESS SPECIFIED		CHECKED	MJK
		SCALE	1 / 1

Ⓣ

CHANGE LEVEL  
H | 02-18-09