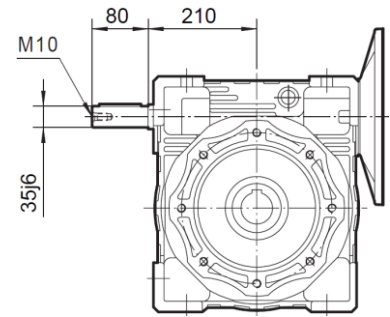
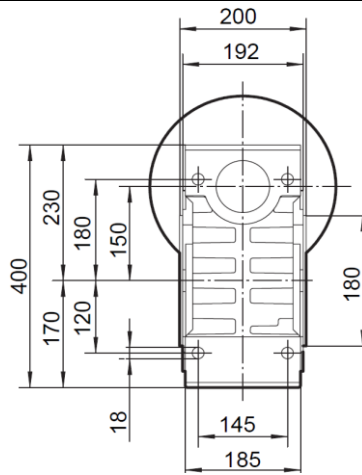
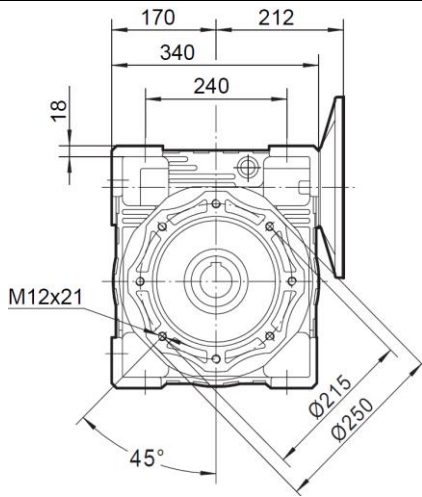


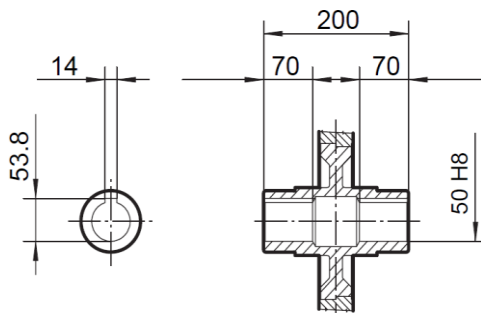
Universal Mount



VS

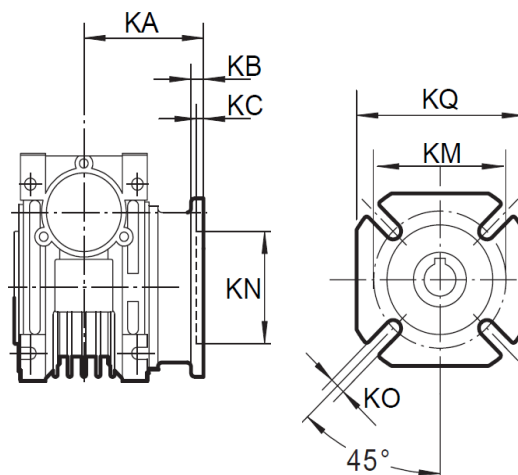
Weight 84.0 Kg

Output Bore



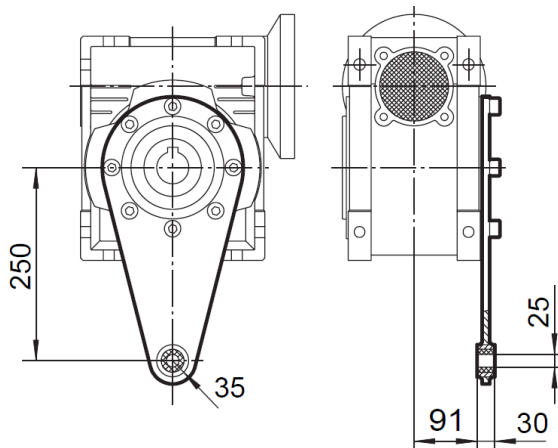
D	b	t
50	14	48.8

Output Flange Options

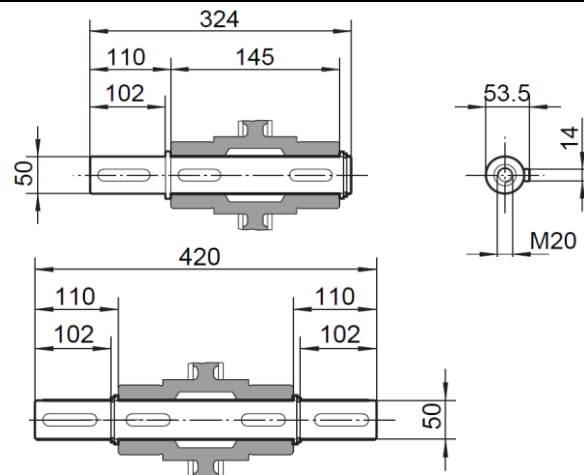


	FA
KN	180
KM	255
KQ	290
KA	155
KB	15
KC	7
KO	16x8

Torque Arm



Output Shaft Options



Input Motor Flange Dimensions

IEC	90B5	100B5	132B14	132B5	160B14	160B5
D	24	28	38	28	42	42
P	200	250	200	300	250	350
M	165	215	165	265	215	300
N	130	180	130	230	180	250

