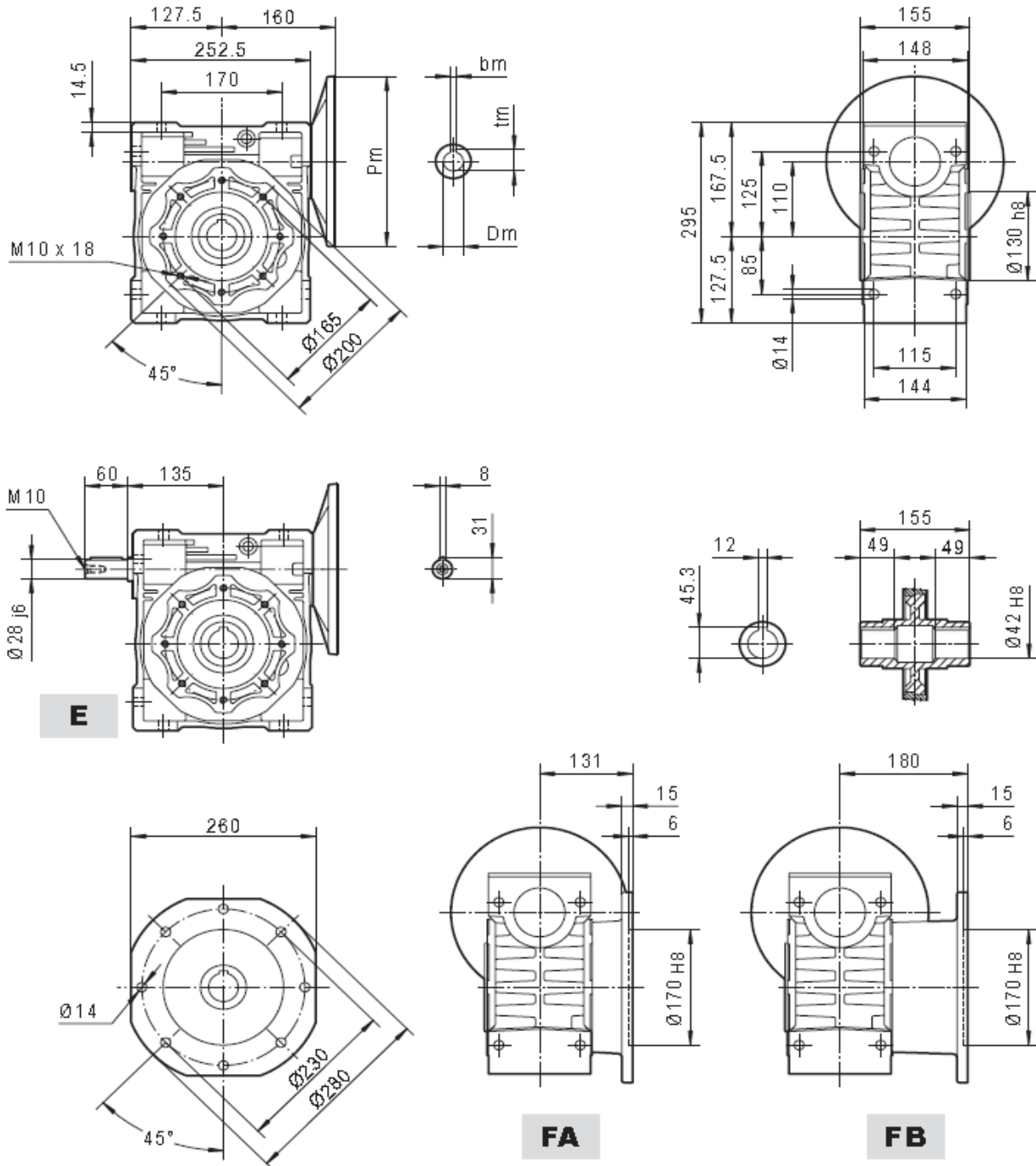




# Worm Gear Units



## DIMENSIONS FCNDK110



PAM IEC	Pm	Dm	bm	tm
132B5	300	38	10	41.3
100/112B5	250	28	8	31.3
90B5	200	24	8	27.3
80B5	200	19	6	21.8
100/112B14	160	28	8	31.3

Weight without motor = 35 Kg