

# CONE WITH CUTOUTS



AMC-Mecanocaucho® Cones work the rubber in shear and compression. They are composed of two parallel conical metal parts fully bonded to the rubber section .

## TECHNICAL CHARACTERISTICS

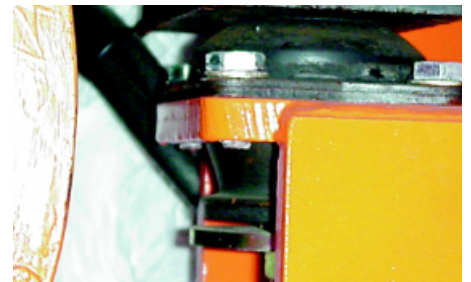
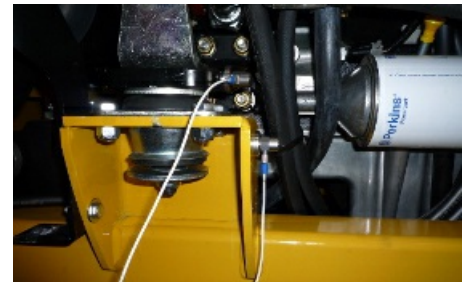
The AMC-Mecanocaucho® Cone mounts are safe and stable elements. They do not allow the suspended elements to tilt, whilst being flexible enough to avoid the transmission of noise and vibration through the support structure.

They are supplied complete with bump stop and centering washers. This renders deflection above the limits of the Mecanocaucho® Cones impossible, even at extreme loads.

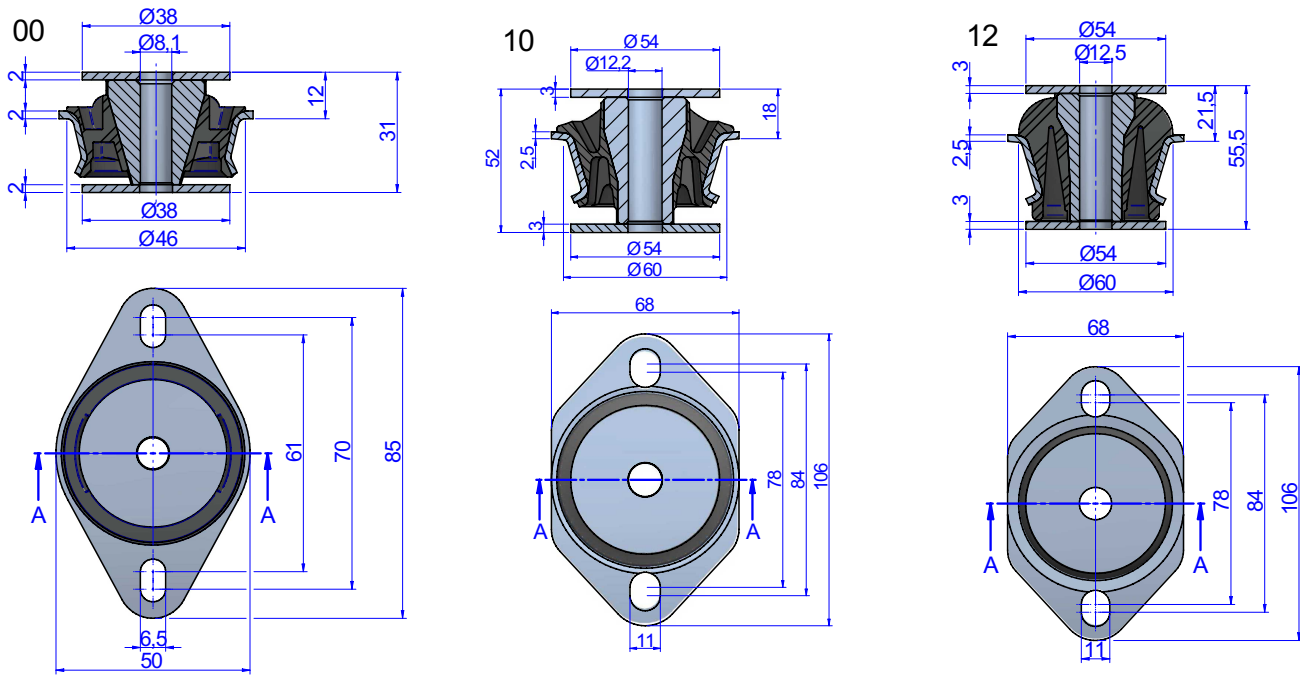
The washers protect the natural rubber (which is highly elastic and highly resistant) from ozone and ageing, as well as from metal knocks and dripping oil. The characteristic deflection curves of the AMC-Mecanocaucho® Cone mounts with centering washer are quite linear, increasing progressively as the load increases. Thanks to this they can safely dampen overloads of up to three times the maximum admissible load.

## APPLICATIONS

The cutouts on the rubber section offer different horizontal/vertical stiffness ratios. This feature is specially interesting for those applications where a lower stiffness is required in one of the axes. Our Technical Department can provide you with the elastical constants for each axis and can also recommend the optimal position of the cutouts for best results.



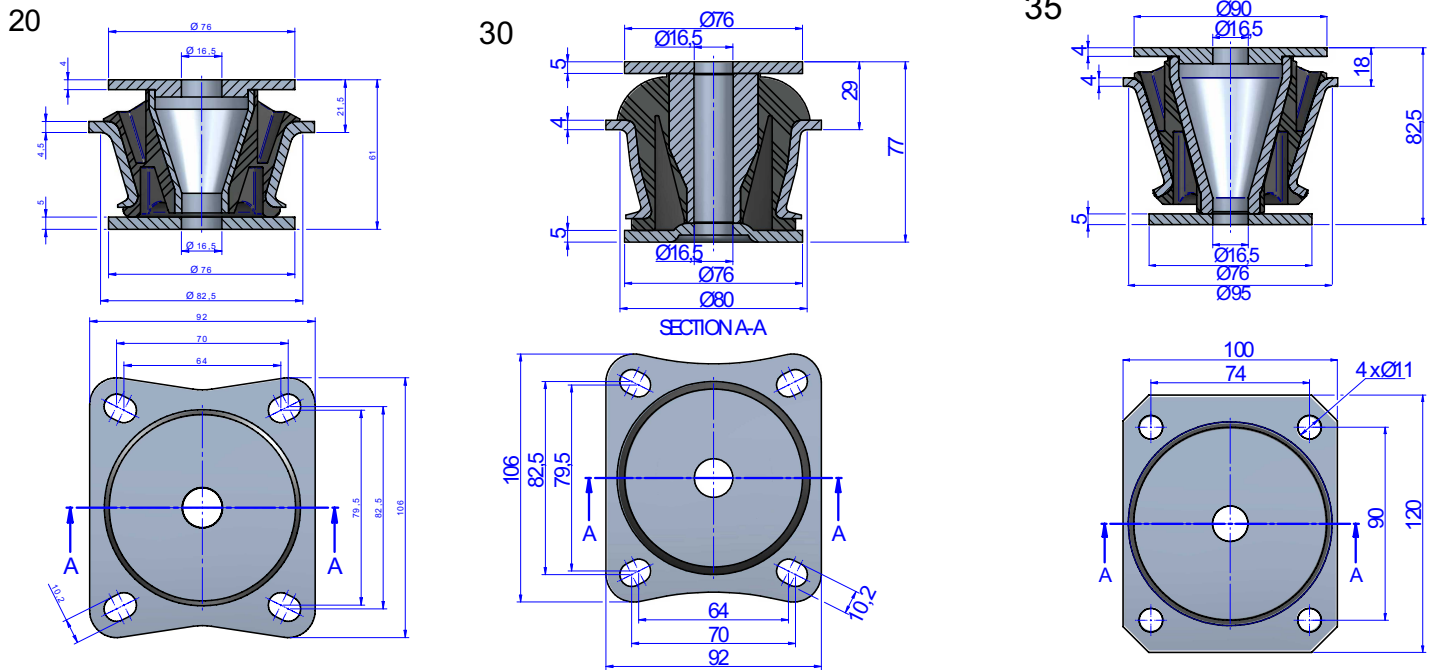
## DRAWINGS



## DIMENSIONS

Type	Tightening torque MAX (Nm)	Weight (gr)	Shore	Load (kg)	Code
00	20,5	126	45 Sh	25	137007
			60 Sh	50	137008
			70 Sh	75	137009
10	71	406	45 Sh	75	137001
			60 Sh	140	137002
			70 Sh	210	137003
12	71	407	45 Sh	80	137914
			55 Sh	120	137916
			70 Sh	200	137918

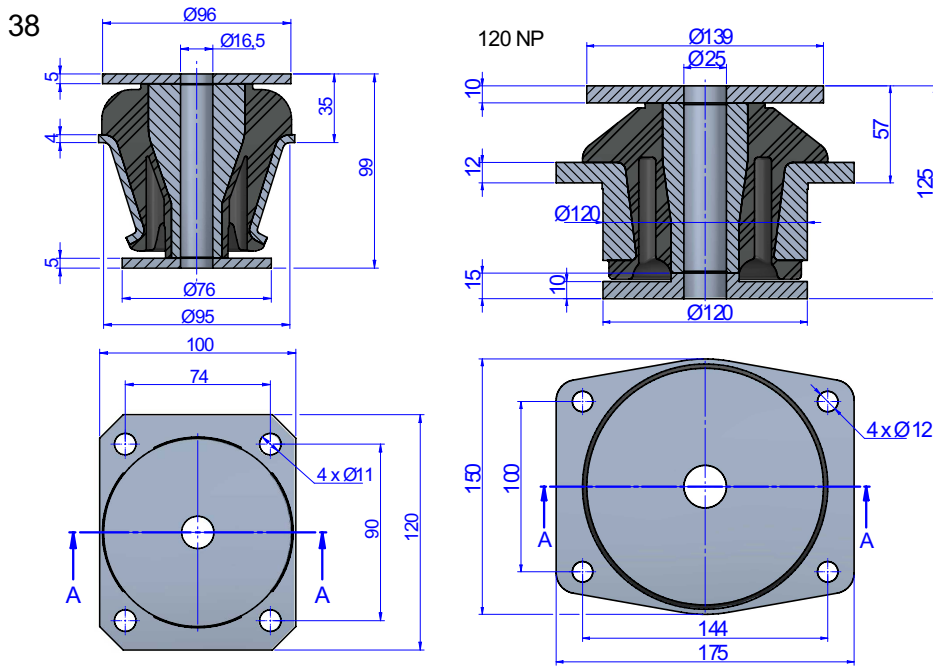
DRAWINGS



DIMENSIONS

Type	Tightening torque MAX (Nm)	Weight (g)	Shore	Load (kg)	Code
20	113	554	45 Sh	120	137031
			60 Sh	200	137034
			70 Sh	330	137039
30	170	1167	40 Sh	140	137041
			50 Sh	190	137043
			60 Sh	300	137042
35	170	1328	70 Sh	370	137044
			45 Sh	200	137065
			60 Sh	450	137067
			70 Sh	760	137068

## DRAWINGS

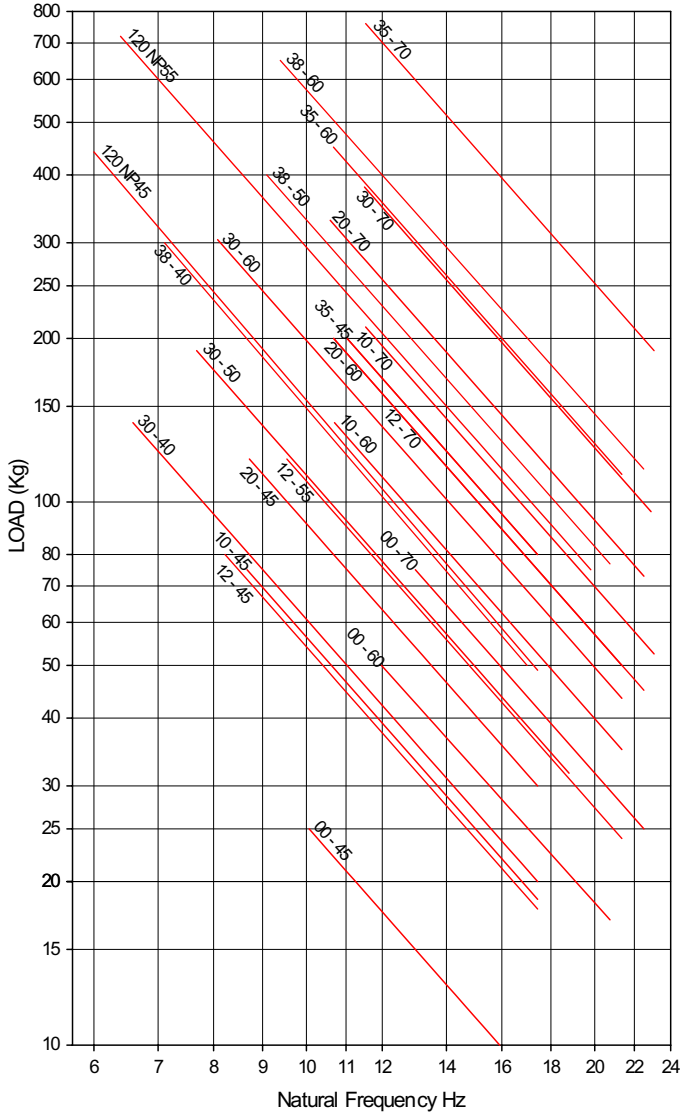


## DIMENSIONS

Type	Tightening torque MAX (Nm)	Weight (g)	Shore	Load (kg)	Code
38	170	1438	40 Sh	300	137961
			50 Sh	400	137962
			60 Sh	650	137963
			70 Sh	900	137964
120 NP	600	6890	45 Sh	440	137871
			55 Sh	720	137872

Elastical properties

**NATURAL FREQUENCY  
CONES MECANOCAUCHO®**



**LOAD DEFLECTION CURVE  
CONES MECANOCAUCHO®**

