



INSTRUCTIONS FOR:
**UNDER VEHICLE ENGINE/GEARBOX
SUPPORT**

PART NO: **VS0110**

Thank you for purchasing a Sealey product. Manufactured to a high standard, this product will, if used according to these instructions and maintained properly, give you years of trouble free performance.

IMPORTANT: PLEASE READ THESE INSTRUCTIONS CAREFULLY. NOTE THE SAFE OPERATIONAL REQUIREMENTS, WARNINGS & CAUTIONS. USE THE PRODUCT CORRECTLY AND WITH CARE FOR THE PURPOSE FOR WHICH IT IS INTENDED. FAILURE TO DO SO MAY CAUSE DAMAGE AND/OR PERSONAL INJURY AND WILL INVALIDATE THE WARRANTY. KEEP THESE INSTRUCTIONS SAFE FOR FUTURE USE.



Refer to
Instruction
Manual

1. SAFETY

- ✓ Ensure that the engine support is in good working order. Take action for immediate repair or replacement of damaged parts. *Use genuine parts only. The use of unauthorised parts may be dangerous and will invalidate the warranty.*
- ✓ Locate the vehicle in a suitable, well lit work area.
- ✓ Keep work area clean and tidy and free from unrelated materials.
- ✓ Ensure the vehicle handbrake is engaged and the engine/motor is switched off.
- ✓ Ensure all non-essential persons keep a safe distance whilst the engine support is in use.
- ✗ **DO NOT** use the engine support if damaged.
- ✗ **DO NOT** allow untrained persons to operate the engine/gearbox support.
- ✗ **DO NOT** use the support for purposes other than that for which it is designed.
- ✗ **DO NOT** exceed the rated capacity of the engine support.
- ☐ **WARNING:** Ensure that the vehicle structure being used to anchor the support is in sound condition.
- ✓ When not in use, store engine support in a safe, dry, childproof area.

IMPORTANT: These instructions are provided as a guide only. Always refer to the vehicle manufacturer's service instructions, or a proprietary manual, to establish the current procedure and data.

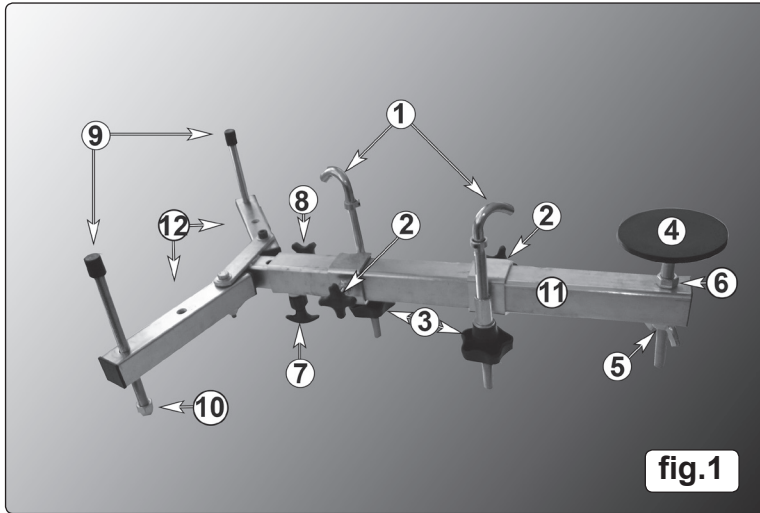
WARNING: The warnings, cautions and instructions in this manual cannot cover all possible conditions and situations that may occur. It must be understood that common sense and caution are factors which cannot be built into this product, but must be applied by the operator.

2. INTRODUCTION

Designed to support the engine or gearbox when mountings or gearbox are being removed. Ideal when replacing clutches or timing belts. Removes the need for using a transmission jack or engine support beam. Fully adjustable, making the unit suitable for most transverse and in-line configurations. Fitting is by suspending underneath the vehicle by support hooks and counter-balancing against the underside of the vehicle.

3. SPECIFICATION

Model No:	VS0110
Width:	560mm
Min/Max Length	645/965mm
Capacity:	300kg
Weight:	10kg



Key

- 1 Hooks
- 2 Slide Locks
- 3 Hook Tensioners
- 4 Support Pad
- 5 Lower Lock Nut
- 6 Upper Lock Nut
- 7 Support Arm Stop
- 8 Support Arm Lock
- 9 Reaction Rods
- 10 Reaction Rod Lock Nuts
- 11 Support Arm
- 12 Articulated Arms

fig.1

4. OPERATION

- 4.1. With the vehicle elevated on a lift, lay the support on the floor beneath to set it to approximate size.
- 4.2. To alter the arm length, pull the support arm stop (fig.1.7) to release the arm and extend. Lock at the required length with the support arm lock (fig.1.8).
- 4.3. Wind the support pad down to allow clearance when fitting.
- 4.4. The hooks (fig.1.1) are designed to hook over or through the main crossmember. Adjust them to the correct distance and lock in place using the slide locks (fig.1.2).
- 4.5. Offer up to the vehicle and locate by swinging the hooks over the crossmember to suspend the support (fig.2).
Take care not to trap any pipes or wiring.
Tighten the hook tensioners to bring the support up to the chassis, making sure that the hooks are firmly located and not likely to slip.
- 4.6. Swing the articulated arms (fig.1.12) to bring the reaction rods (fig.1.9) to a suitable point on the floorpan and screw them into light contact.
Take care that the area of floorpan selected is in sound condition.
- 4.7. Elevate the support pad carefully under the gearbox/engine using a spanner on the hex formed at the top of the thread (fig.3).
- 4.8. When the required support has been achieved, lock the support pad using the upper and lower lock nuts (figs.1.5 & 1.6).
- 4.9. When the task is finished, remove the unit in the reverse of the installation procedure. Make sure that it is removed before lowering the vehicle.

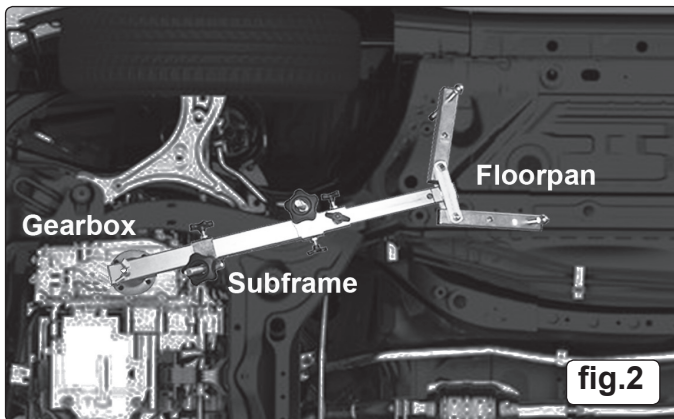


fig.2

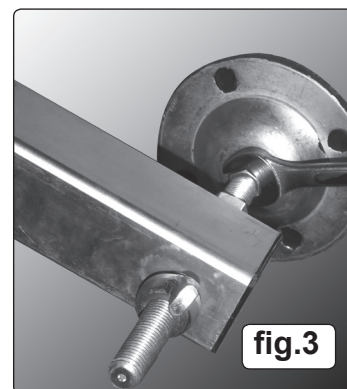


fig.3

Environmental Protection



Recycle unwanted materials instead of disposing of them as waste. All tools, accessories and packaging should be sorted, taken to a recycling centre and disposed of in a manner which is compatible with the environment. When the product becomes completely unserviceable dispose of it according to local regulations.

NOTE: It is our policy to improve products continually and as such we reserve the right to alter data, specifications and component parts without prior notice.

IMPORTANT: No liability is accepted for incorrect use of this product.

WARRANTY: Guarantee is 12 months from purchase date, proof of which will be required for any claim.



Sole UK Distributor, Sealey Group,
Kempson Way, Suffolk Business
Park, Bury St. Edmunds, Suffolk,
IP32 7AR



01284 757500



01284 703534



www.sealey.co.uk



sales@sealey.co.uk