

**DELTA
FIRE**



TYPE 2 UNDERGROUND HYDRANT VALVES

WRAS APPROVED

KEY USERS

- Water Companies
- Industrial Sectors
- Construction
- Demolition
- Groundworks

KEY FACTS

- Ductile Iron Construction
- Fully Maintainable
- Corrosion Resistant
- Universal Inlet Flange
- 2½" BSRT Male Outlet
- Auto Frost Drain
- Low Weight



WRAS Approved for Cold Water Use

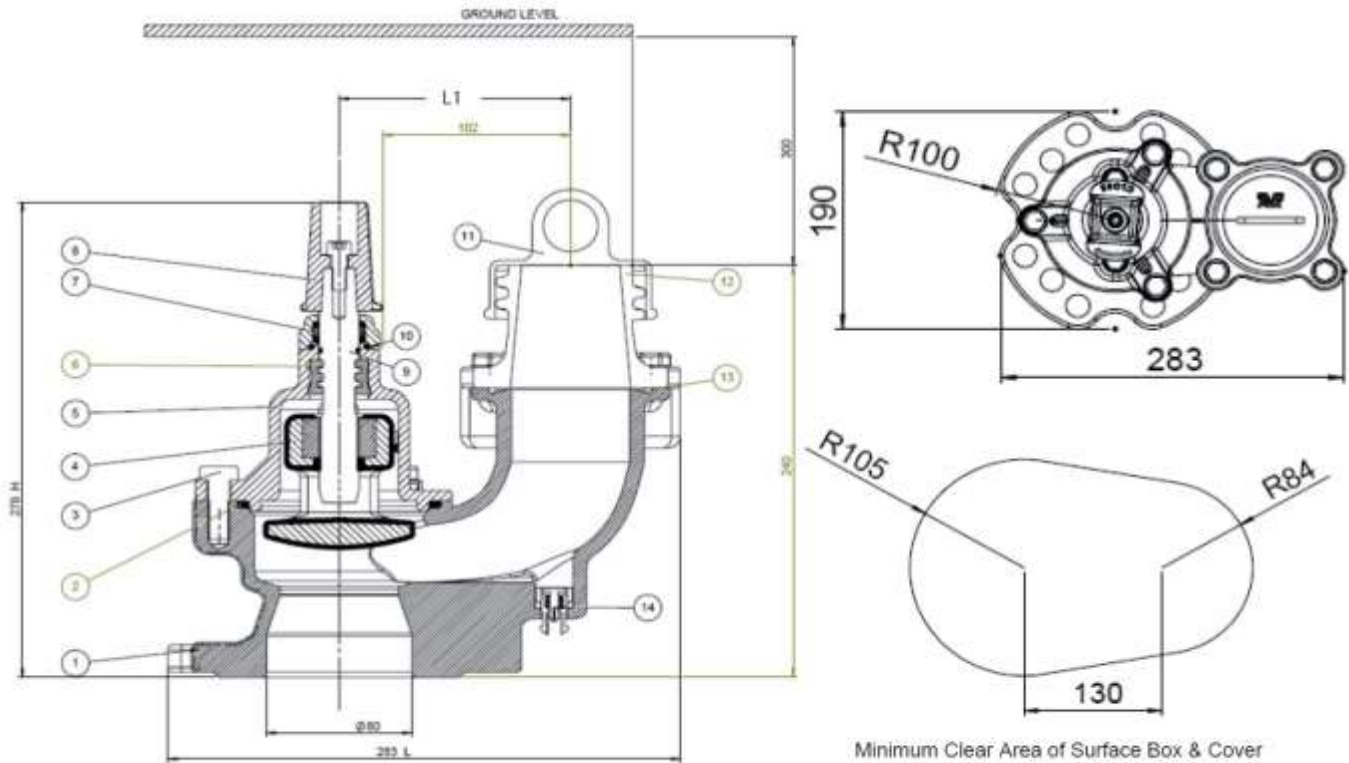
Doc Ref: DDS083

GENERAL DESCRIPTION

The Delta Underground Hydrant is a squat, compact valve suitable for use with water and natural fluids to a maximum temperature of 70°C and complies with the requirements of BS750, BS EN1074-2:2004 and EN14339:2005 (also to BS EN1074-6 for potable drinking water).

WRAS Approved for use with fresh drinking water, Delta's Type 2 valve is manufactured from corrosion resistant materials, easy to maintain and fitted as standard with a universal multi-flange Inlet for compatibility to most standard mating flanges and a 2½" BSRT male threaded outlet for use with 2½" BSRT inlet standpipes.

TECHNICAL DATA



No	Description	Material
1	Body	Ductile Iron BSEN1563 EN-GJS-500-7
2	Body/Bonnet Seal	NBR WRAS Approved
3	All Fastenings	A2 Stainless Steel
4	Stopper Assembly (fixed only)	Ductile Iron BSEN1563 EN-GJS-500-7
5	Bonnet	Ductile Iron BSEN1563 EN-GJS-500-7
6	Thrust Collars	DZR Brass BSEN12164
7	Gland Flange Assembly	Ductile Iron BSEN1563 EN-GJS-500-7
8	Stem cap	Ductile Iron BSEN1563 EN-GJS-500-7
9	Stem	Stainless Steel
10	Gland Flange Seal	NBR WRAS Approved
11	Dust Cap	Polyethylene
12	Outlet	Stainless Steel
13	Body/Outlet seal	NBR WRAS Approved
14	Auto-Frost Valve	Nylon 6.6 Body & Plunger with NBR WRAS Approved 'O' rings & S/S Spring
	Coating	Internal & External Blue Epoxy