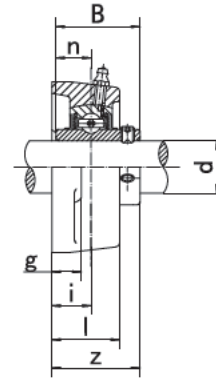
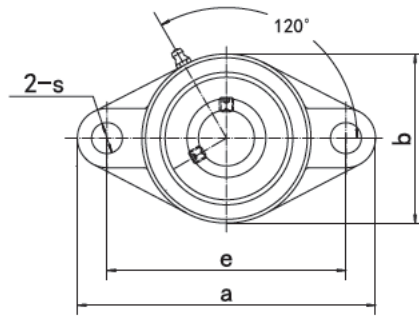


Flange Units (Oval)

UCFT2 (Normal-duty)



Unit NO.	Dimensions ( mm / in. )											Bolt Size mm/in.	Bearing No.	Housing No.	Weight (kg)
	d	a	e	i	g	l	s	b	z	B	n				
UCFT204	20	112	89.5	19.0	11.0	29.0	10.5	60.0	37.3	31.0	12.7	M8	UC204	FT204	0.45
204-12	3/4	4-13/32	3-33/64	3/4	7/16	1-9/64	27/64	2-3/8	1-15/32	1.2205	0.500	5/16	UC204-12		0.45
UCFT205	25	124	99.0	20.0	13.0	31.0	13.0	70.0	39.8	34.1	14.3	M10	UC205	FT205	0.63
205-13	13/16												UC205-13		0.67
205-14	7/8	4-7/8	3-57/64	25/32	1/2	1-7/32	33/64	2-3/4	1-37/64	1.3425	0.563	3/8	UC205-14		0.66
205-15	15/16												UC205-15		0.64
205-16	1												UC205-16		0.63
UCFT206	30	141	116.5	21.0	13.0	34.0	13.0	82.0	43.2	38.1	15.9	M10	UC206	FT206	0.89
206-17	1-1/16												UC206-17		0.90
206-18	1-1/8	5-35/64	4-37/64	53/64	1/2	1-11/32	33/64	3-15/64	1-45/64	1.5000	0.626	3/8	UC206-18		0.91
206-19	1-3/16												UC206-19		0.89
206-20	1-1/4												UC206-20		0.88
UCFT207	35	156	130.0	21.5	14.0	36.5	14.0	95.0	46.9	42.9	17.5	M12	UC207	FT207	1.25
207-20	1-1/4												UC207-20		1.32
207-21	1-5/16	6-9/64	5-1/8	27/32	35/64	1-7/16	35/64	3-47/64	1-27/32	1.6890	0.689	7/16	UC207-21		1.29
207-22	1-3/8												UC207-22		1.26
207-23	1-7/16												UC207-23		1.23
UCFT208	40	171	143.5	24.0	14.0	39.0	14.0	105.0	54.2	49.2	19.0	M12	UC208	FT208	1.61
208-24	1-1/2	6-47/64	5-21/32	61/64	35/64	1-17/32	35/64	4-9/64	2-9/64	1.9370	0.748	7/16	UC208-24		1.65
208-25	1-9/16												UC208-25		1.62
UCFT209	45	179	148.5	24.0	14.0	40.0	16.0	111.0	54.2	49.2	19.0	M14	UC209	FT209	1.81
209-26	1-5/8												UC209-26		1.91
209-27	1-11/16	7-3/64	5-55/64	61/64	35/64	1-37/64	5/8	4-3/8	2-9/64	1.9370	0.748	1/2	UC209-27		1.87
209-28	1-3/4												UC209-28		1.83
UCFT210	50	189	157.0	28.5	14.0	47.0	16.0	116.0	61.1	51.6	19.0	M14	UC210	FT210	2.15
210-29	1-13/16												UC210-29		2.27
210-30	1-7/8	7-7/16	6-3/16	1-1/8	35/64	1-27/32	5/8	4-9/16	2-13/32	2.0315	0.748	1/2	UC210-30		2.22
210-31	1-15/16												UC210-31		2.17
210-32	2												UC210-32		2.13
UCFT211	55	216	184.0	32.0	20.0	50.0	18.0	133.0	65.4	55.6	22.2	M16	UC211	FT211	3.20
211-32	2												UC211-32		3.35
211-33	2-1/16	8-1/2	7-1/4	1-17/64	25/32	1-31/32	45/64	5-15/64	2-37/64	2.1890	0.874	5/8	UC211-33		3.29
211-34	2-1/8												UC211-34		3.25
211-35	2-3/16												UC211-35		3.18
UCFT212	60	235	202	34	21	53	18	138	73.7	65.1	25.4	M16	UC212	FT212	4.00
212-36	2-1/4												UC212-36		4.13
212-37	2-5/16	9-1/4	7-61/64	1-9/64	53/64	2-3/32	23/32	5-7/16	2-29/32	2.5630	1.000	5/8	UC212-37		4.05
212-38	2-3/8												UC212-38		3.98
212-39	2-7/16												UC212-39		3.91
UCFT213	65	248	210	38	22	56	20.5	152	77.7	65.1	25.4	M18	UC213	FT213	4.72
213-40	2-1/2	9-49/64	8-17/64	1-1/2	55/64	2-13/64	13/16	5-63/64	3-1/16	2.5630	1.000	23/32	UC213-40		4.81
213-41	2-9/16												UC213-41		4.72
UCFT214	70	257	216	38	23	58	23	157	82.4	74.6	30.2	M20	UC214	FT214	5.27
214-42	2-5/8												UC214-42		5.48
214-43	2-11/16	10-7/16	8-1/2	1-1/2	29/32	2-9/32	29/32	6-3/16	3-1/4	2.9370	1.189	3/4	UC214-43		5.38
214-44	2-3/4												UC214-44		5.28