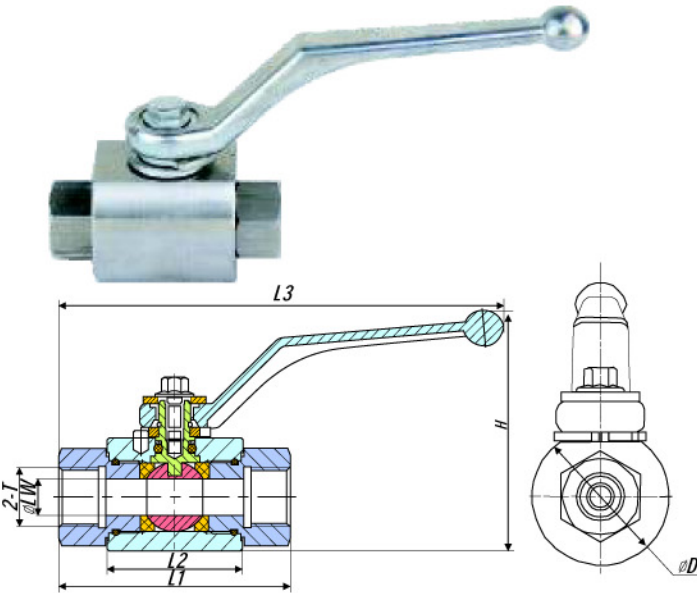




EHVSS 316Ti Series 2-Way High Pressure Ball Valve (Stainless Steel 316Ti)



INTERCHANGE

PISTER RKH SERIES, MHABKH SERIES,
HYDAC KHM SERIES, GEMELS GE2 SERIES

SPECIFICATIONS:

- Body: stainless steel 1.4571(316Ti)
- Ball: stainless steel 1.4571(316Ti)
- Stem: stainless steel 1.4571(316Ti)
- Handle: Zinc Alloy or aluminium
- Standard O-Rings: NBR
- On request O-Rings: Viton, Neoprene, EPDM or other seals.
- Ball seals: DELRIN (POM) or PEEK
- Temperature Range: -40°C+200°C/-40°F+396°F

APPLICATIONS:

Chemical and petrochemical industry, environmental installations,
off shore, water, high pressure cleaning systems.

Art .No.	Size	Max. Working pressure	ΦLW	L1	L2	L3	H	D	T	L4	L5	L6
EHVSS14	1/4"	500bar	Φ6	69	40	152	78	35	1/4BSPP(NPT)	-	-	-
EHVSS38	3/8"	500bar	Φ10	71	42	154	84	42	3/8BSPP(NPT)	-	-	-
EHVSS12	1/2"	500bar	Φ13	82	48	159	86	45	1/2BSPP(NPT)	-	-	-
EHVSS34	3/4"	315bar	Φ20	96	62	219	119	60	3/4BSPP(NPT)	-	-	-
EHVSS10	1"	315bar	Φ25	113	66	228	128	65	1BSPP(NPT)	-	-	-

	Standard Type	Art .No.	DN(mm)	LW(mm)	D	RA(mm)	L(mm)	i(mm)	SW1(mm)
01	ISO 228 	EHVSS-G1/4	6	6	G1/4	-	69	13.5	22
		EHVSS-G3/8	10	10	G3/8	-	71	14	27
		EHVSS-G1/2	13	13	G1/2	-	82	16.5	30
		EHVSS-G3/4	20	20	G3/4	-	96	18	41
		EHVSS-G1	25	25	G1	-	113	20	50
02	ANSI B 1.20.1 	EHVSS-1/4NPT	6	6	1/4-18NPT	-	76	11.5	22
		EHVSS-3/8NPT	10	10	3/8-18NPT	-	81	12	27
		EHVSS-1/2NPT	13	13	1/2-14NPT	-	102	15.5	30
		EHVSS-3/4NPT	20	20	3/4-14NPT	-	112	16	41
		EHVSS-1NPT	25	25	1-11.5NPT	-	122	19.5	50
03	ISO 8434-1 S 	EHVSS-10S	6	6	M18X1.5	10	73	9.5	22
		EHVSS-12S	8	8	M20X1.5	12	77	9.5	27
		EHVSS-16S	13	13	M24X1.5	16	87	11.5	30
		EHVSS-20S	16	13	M30X2	20	91	13.5	32
		EHVSS-25S	20	20	M36X2	25	111	15	41
		EHVSS-30S	25	25	M42X2	30	120	17	50
04	ISO 8434-1 L 	EHVSS-8L	6	6	M14X1.5	8	69	10	22
		EHVSS-10L	8	10	M16X1.5	10	77.3	11	27
		EHVSS-12L	10	10	M18X1.5	12	77.3	11	27
		EHVSS-15L	13	13	M22X1.5	15	83	12	30
		EHVSS-22L	20	20	M30X2	22	101	14	38
		EHVSS-28L	25	25	M36X2	28	108	14	44
05	JB/T966 	EHVSS-M16X1.5	6	6	M16X1.5	11.9	78	11	27
		EHVSS-M18X1.5	8	7	M18X1.5	13.1	82	11	27
		EHVSS-M22X1.5	10	10.5	M22X1.5	16.6	88	12	30
		EHVSS-M27X1.5	13	13	M27X1.5	20.4	91	13	32
		EHVSS-M36X2	20	20	M36X2	27	111	16	41
		EHVSS-M42X2	25	25	M42X2	32.4	126	20	50