

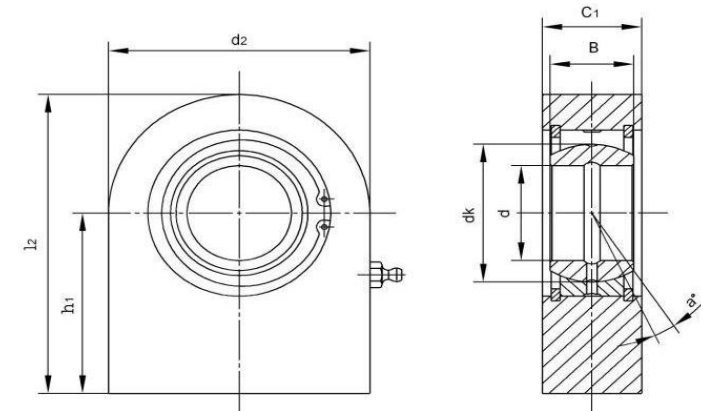
TS-N Series Hydraulic Rod Ends - Weld On Housings (Maintenance required - Steel / Steel)



Bearing: GE-ES Series, 100Cr6 Bearing Steel, Hardened and Phosphated, sliding surface treated with MoS2

Lubrication: Via grease nipple. (Steel/Steel)

Housing: Weldable Steel



Part Number	Dimensions								Load Ratings		Weight (kg)
	d	B	dk	C1	d2	h1	(l2)	a°	Dynamic	Static	
TS20N	20	16	29	19	50	38	63	9	30	67	0.36
TS25N	25	20	35.5	23	55	45	72.5	7	48	69	0.53
TS30N	30	22	40.7	28	65	51	83.5	6	62	118	0.85
TS35N	35	25	47	30	83	61	102.5	6	79	196	1.50
TS40N	40	28	53	35	100	69	119	7	99	305	2.42
TS45N	45	32	60	40	110	77	132	7	127	386	3.39
TS50N	50	35	66	40	123	88	149.5	6	156	441	4.24
TS60N	60	44	80	50	140	100	170	6	245	570	7.10
TS70N	70	49	92	55	164	115	197	6	313	724	10.70
TS80N	80	55	105	60	180	141	231	6	400	804	15.10