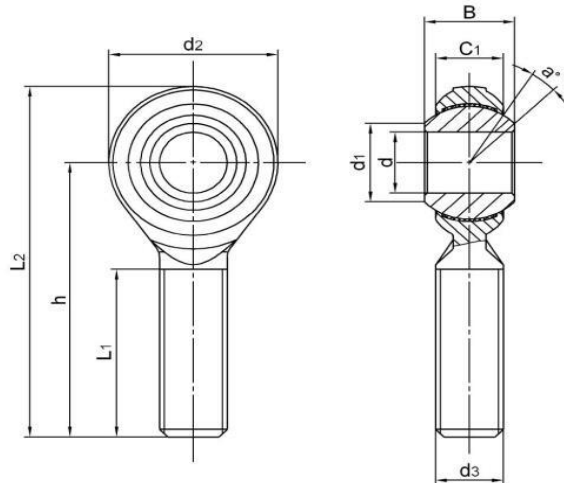


STAINLESS STEEL SS-POS-EC SERIES MAINTENANCE FREE ROD ENDS - MALE



Bearing Reference	Dimensions(mm)									Ball Diameter	α mis. angle	Load ratings (KN)		Weight (kg)
	d H7	B	C1	d1	d2	d3-6g	h	L1	L2			Dynamic	Static	
SS-POS5EC SS- POS5ECL	5	8	6	7.7	16	M5	33	20	41	11.11	13	3.3	4.8	0.012
SS-POS6EC SS- POS6ECL	6	9	6.75	8.9	18	M6	36	22	45	12.7	13	4.7	6.8	0.019
SS-POS8EC SS- POS8ECL	8	12	9	10.3	22	M8	42	25	53	15.87	14	7.7	8.9	0.032
SS-POS10EC SS- POS10ECL	10	14	10.5	12.9	26	M10	48	29	61	19.05	13	10.4	12.5	0.054
SS-POS12EC SS- POS12ECL	12	16	12	15.4	30	M12	54	33	69	22.22	13	13.5	15.8	0.085
SS-POS14EC SS- POS14ECL	14	19	13.5	16.8	34	M14	60	36	77	25.4	16	17.2	22.1	0.126
SS-POS16EC SS- POS16ECL	16	21	15	19.3	38	M16	66	40	85	28.58	15	21	35.1	0.185
SS-POS20EC SS- POS20ECL	20	25	18	24.3	46	M20x1.5	78	47	101	34.925	14	29.8	45.6	0.34
SS-POS25EC SS- POS25ECL	25	31	22	29.5	60	M24x2	94	57	124	42.86	15	47	78	0.65
SS-POS30EC SS- POS30ECL	30	37	25	34.8	70	M30x2	110	66	145	50.8	14	63	103.2	1.07

FOR LEFT HAND THREADS, ADD 'L' TO THE END OF THE REFERENCE, IE: SS-POS20ECL

Ball: 440C Stainless Steel, Heat Treated, Precision Ground and Polished

Body: 304 Stainless Steel

Race: PTFE composite

Sliding contact surfaces: Stainless Steel/PTFE composite