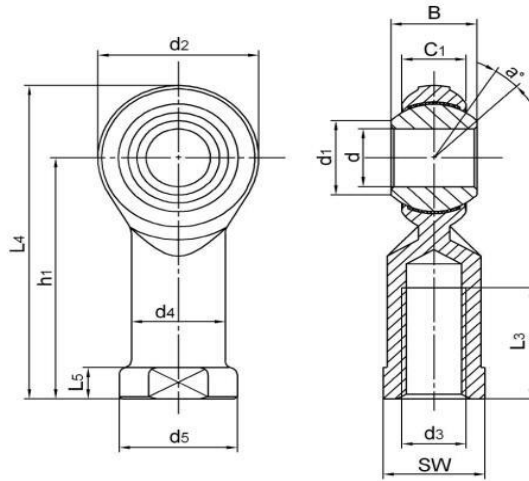


STAINLESS STEEL SS-PHS-EC SERIES MAINTENANCE FREE ROD ENDS - FEMALE



Bearing Reference	Dimensions(mm)													Ball Diameter	a ₀ mis. angle	Load ratings (KN)		Weight (kg)
	d H7	B	C1	d1	d2	d3-6H	h1	L3	(L4)	L5	D4	D5	SW			Dynamic	Static	
SS-PHS5EC SS- PHS5ECL	5	8	6	7.7	16	M5	27	11	35	4	9	11	9	11.11	13	3.3	6.2	0.016
SS-PHS6EC SS- PHS6ECL	6	9	6.75	8.9	18	M6	30	13	39	5	10	13	11	12.7	13	4.7	7.8	0.025
SS-PHS8EC SS- PHS8ECL	8	12	9	10.3	22	M8	36	16	47	5	12.5	16	14	15.87	14	7.7	13.2	0.043
SS-PHS10EC SS- PHS10ECL	10	14	10.5	12.9	26	M10	43	20	56	6.5	15	19	17	19.05	13	10.4	17.3	0.072
SS-PHS12EC SS- PHS12ECL	12	16	12	15.4	30	M12	50	23	65	6.5	17.5	22	19	22.22	13	13.5	22.7	0.107
SS-PHS14EC SS- PHS14ECL	14	19	13.5	16.8	34	M14	57	27	74	8	20	25	22	25.4	16	17.2	28.2	0.16
SS-PHS16EC SS- PHS16ECL	16	21	15	19.3	38	M16	64	32	83	8	22	27	22	28.58	15	21	35.1	0.21
SS-PHS20EC SS- PHS20ECL	20	25	18	24.3	46	M20x1.5	77	39	100	10	27.5	34	30	34.92	14	29.8	50.3	0.38
SS-PHS25EC SS- PHS25ECL	25	31	22	29.5	60	M24x2	94	48	124	12	33.5	42	36	42.86	15	47	78	0.65
SS-PHS30EC SS- PHS30ECL	30	37	25	34.8	70	M30x2	110	56	145	15	40	50	41	50.8	17	63	103.2	1.07

FOR LEFT HAND THREADS, ADD 'L' TO THE END OF THE REFERENCE, IE: SS-PHS20ECL

Ball: 440C Stainless Steel, Heat Treated, Precision Ground and Polished

Body: 304 Stainless Steel

Race: PTFE composite

Sliding contact surfaces: Stainless Steel/PTFE composite