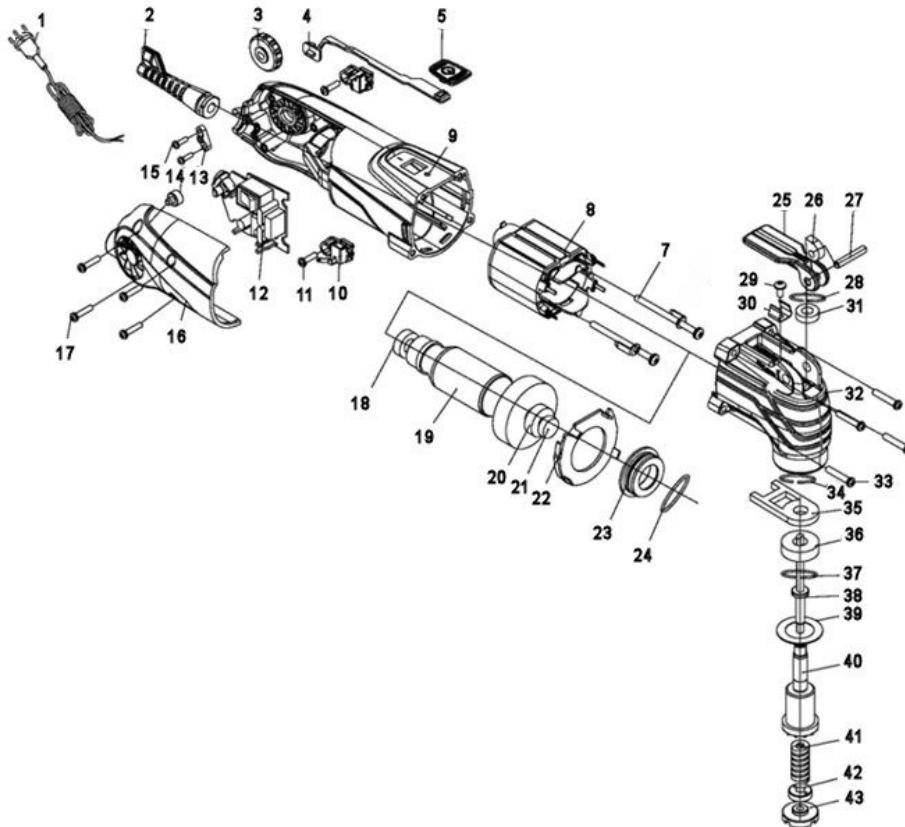




Parts Information:  
**Oscillating Multi-Tool 300W/230V Quick Change**  
**Model No: SMT300Q**



Item	Part No.	Description
1	SMT300Q.01	CORD
2	SMT300Q.02	CORD SLEEVE
3	SMT300Q.03	VARIABLE SPED KNOB
4	SMT300Q.04	SLIDE BAR
5	SMT300Q.05	SWITCH KNOB
7	SMT300Q.07	MACHINE SCREW
8	SMT300Q.08	STATOR
9	SMT300Q.09	HOUSING
10	SMT300Q.10	BRUSH HOLDER ASS'Y
11	SMT300Q.11	MACHINE SCREW
12	SMT300Q.12	CIRCUIT BOARD
13	SMT300Q.13	CORD CLAMP
14	SMT300Q.14	RUBBER PIN
15	SMT300Q.15	MACHINE SCREW
16	SMT300Q.16	TOP COVER
17	SMT300Q.17	MACHINE SCREW
18	SMT300Q.18	BEARING
19	SMT300Q.19	ARMATURE
20	SMT300Q.20	BEARING
21	SMT300Q.21	BEARING BUSH
22	SMT300Q.22	BAFFLE RING

Item	Part No.	Description
23	SMT300Q.23	BEARING COVER
24	SMT300Q.24	O-RING
25	SMT300Q.25	LOCKING LEVER
26	SMT300Q.26	LOCKING BLOCK
27	SMT300Q.27	LOCKING PIN
28	SMT300Q.28	LOCKING RING
29	SMT300Q.29	SCREW
30	SMT300Q.30	BRACKET
31	SMT300Q.31	BEARING
32	SMT300Q.32	GEARCASE
33	SMT300Q.33	MACHINE SCREW
34	SMT300Q.34	BLOCK RING
35	SMT300Q.35	SPINDLE HOLDER
36	SMT300Q.36	BEARING
37	SMT300Q.37	CLIP
38	SMT300Q.38	CENTRAL PIN
39	SMT300Q.39	DUST-PROOF RING
40	SMT300Q.40	SPINDLE
41	SMT300Q.41	SPRING
42	SMT300Q.42	SPRING WASHER
43	SMT300Q.43	PLATE

**NOTE:** It is our policy to continually improve products and as such we reserve the right to alter data, specifications and component parts without prior notice.

**IMPORTANT:** No liability is accepted for incorrect use of product.

**WARRANTY:** Guarantee is 12 months from purchase date, proof of which will be required for any claim.

Sealey Group, Kempson Way, Suffolk Business Park, Bury St Edmunds, Suffolk. IP32 7AR



01284 757500



01284 703534



sales@sealey.co.uk



www.sealey.co.uk