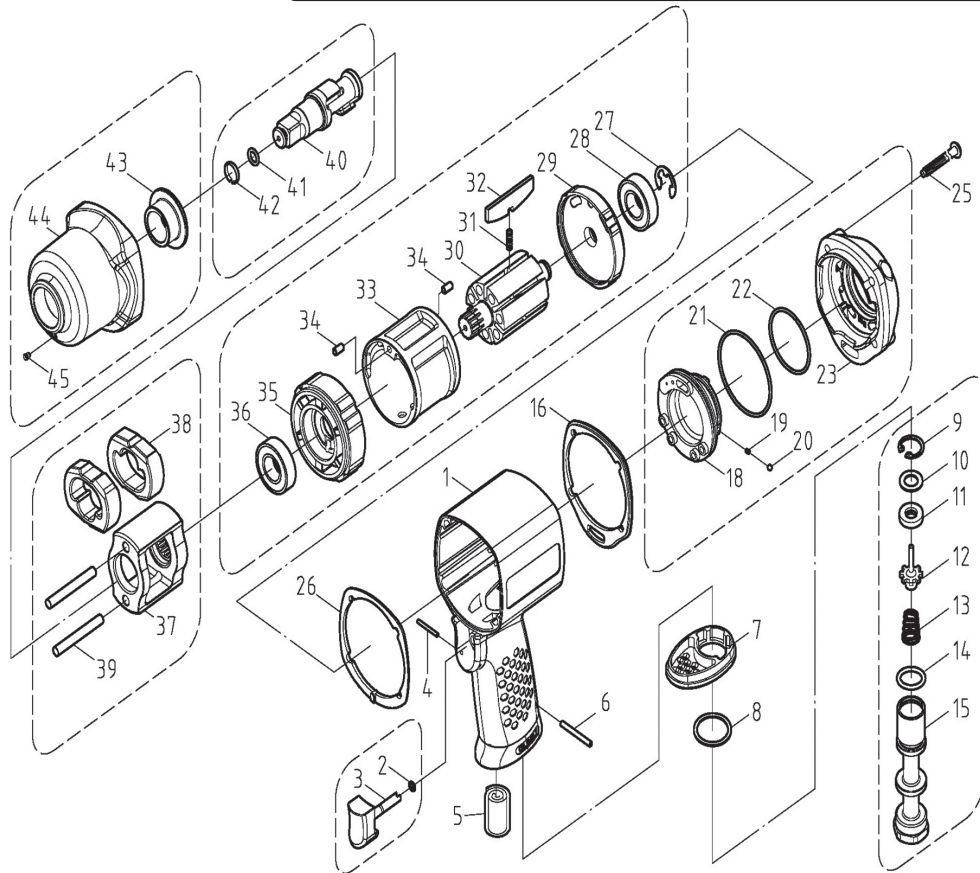


Parts Information:
Air Impact Wrench 1/2" Sq Drive Twin Hammer
Model No: SA6007



Item	Part No.	Description
1	SA6007.01	HOUSING
2	SA6007.02	O-RING
3	SA6007.03	TRIGGER
4	SA6007.04	SPRING PIN
5	SA6007.05	MUFFLER FILTER
6	SA6007.06	SPRING PIN
7	SA6007.07	EXHAUST DEFLECTOR
8	SA6007.08	WASHER
9	SA6007.09	RETAINING RING
10	SA6007.10	WASHER
11	SA6007.11	OIL SEAL
12	SA6007.12	PIN VALVE ROD
13	SA6007.13	CONE SPRING
14	SA6007.14	O-RING
15	SA6007.15	1/4" AIR INLET ADAPTOR
16	SA6007.16	REAR GASKET
18	SA6007.18	REVERSE LEVER
19	SA6007.19	SPRING
20	SA6007.20	STEEL BALL
21	SA6007.21	O-RING
22	SA6007.22	O-RING
23	SA6007.23	REAR COVER

Item	Part No.	Description
25	SA6007.25	SCREW (4pcs/SET)
26	SA6007.26	FRONT GASKET
27	SA6007.27	E-RING
28	SA6007.28	BALL BEARING
29	SA6007.29	REAR PLATE
30	SA6007.30	ROTOR
31	SA6007.31	SPRING (7pcs/SET)
32	SA6007.32	ROTOR BLADE (7pcs/SET)
33	SA6007.33	CYLINDER
34	SA6007.34	SPRING PIN
35	SA6007.35	FRONT PLATE
36	SA6007.36	BALL BEARING
37	SA6007.37	HAMMER CAGE
38	SA6007.38	HAMMER (2pcs/SET)
39	SA6007.39	HAMMER PIN (2pcs/SET)
40	SA6007.40	ANVIL 1/2"
41	SA6007.41	O-RING
42	SA6007.42	ANVIL RETAINER
43	SA6007.43	ANVIL BUSHING 1/2"
44	SA6007.44	FRONT CASING
45	SA6007.45	GREASE NIPPLE

NOTE: It is our policy to continually improve products and as such we reserve the right to alter data, specifications and component parts without prior notice.

IMPORTANT: No liability is accepted for incorrect use of product.

WARRANTY: Guarantee is 12 months from purchase date, proof of which will be required for any claim.