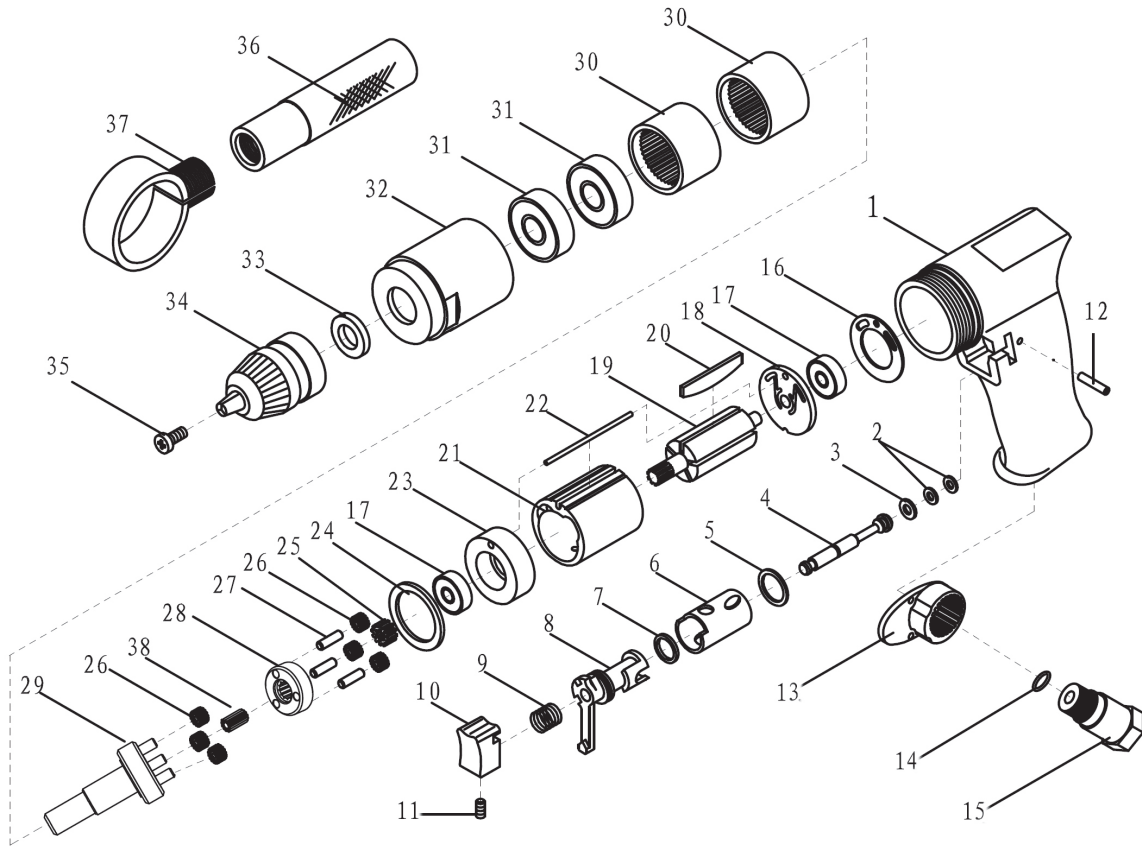


Parts Information:
**Air Drill Ø13mm 700rpm Reversible
 Keyless Chuck
 Model No: SA27.V3**



Item	Part No.	Description
1	SA24.V3-01	Housing
2	SA24.V3-03	O-Ring (4x1mm)
3	SA24.V3-02	O-Ring (4x2mm)
4	SA24.V3-04	Valve Stem
5	SA24.V3-05	O-Ring (13x2.5mm)
6	SA24.V3-06	Regulator Sleeve
7	SA24.V3-07	O-Ring (12.2*1.5mm)
8	SA24.V3-08	Reverse Lever
9	SA24.V3-09	Trigger Spring
10	SA24.V3-10	Trigger
11	GSM48.S	Grub Screw M4x8 (Single)
12	SA24.V3-12	Cotter Pin (2.5*22mm)
13	SA24.V3-13	Muffler Cover
14	SA24.V3-14	O-Ring (10.8*1.6mm)
15	SA24.V3-15	Air Inlet Connector
16	SA24.V3-16	Rear Gasket
17	B/626ZZ	Bearing 626ZZ
18	SA24.V3-18	Rear End Plate
19	GSA232.19	Rotor

Item	Part No.	Description
20	GSA232.20	Rotor Blade
21	SA24.V3-21	Cylinder
22	SA24.V3-22	Pin
23	SA24.V3-23	Front End Plate
24	SA24.V3-24	V-Gasket
25	SA27.V3-25	Planet Gear (A)
26	SA27.V3-26	Planet Gear (B)
27	SA27.V3-27	Pin for Planet Gear
28	SA27.V3-28	Gear Plate
29	SA27.V3-29	Work Spindle
30	SA27.V3-30	Gear Ring
31	B/6201ZZ	Bearing 6201ZZ
32	SA27.V3-32	Clamp Nut
33	GSA232.26	Gear Ring
34	SA27.V3-34	Keyless Chuck 1/2"
35	SA27.V3-35	Chuck Screw M5*22
36	SA27.V3-36	Handle
37	SA27.V3-37	Handle Ring
38	SA27.V3-38	Planet Gear (High)

NOTE: It is our policy to continually improve products and as such we reserve the right to alter data, specifications and component parts without prior notice.

IMPORTANT: No liability is accepted for incorrect use of product. Spare parts must be fitted by a competent person

WARRANTY: Guarantee is 12 months from purchase date, proof of which will be required for any claim.