



AIR HAMMER WITH CHISELS - MEDIUM STROKE

MODEL NO: SA12/S.V3

Thank you for purchasing a Sealey product. Manufactured to a high standard, this product will, if used according to these instructions, and properly maintained, give you years of trouble free performance.

IMPORTANT: PLEASE READ THESE INSTRUCTIONS CAREFULLY. NOTE THE SAFE OPERATIONAL REQUIREMENTS, WARNINGS & CAUTIONS. USE THE PRODUCT CORRECTLY AND WITH CARE FOR THE PURPOSE FOR WHICH IT IS INTENDED. FAILURE TO DO SO MAY CAUSE DAMAGE AND/OR PERSONAL INJURY AND WILL INVALIDATE THE WARRANTY. KEEP THESE INSTRUCTIONS SAFE FOR FUTURE USE.



Refer to instruction manual



Wear protective gloves



Wear eye protection



Wear face mask



Wear ear protection

1. SAFETY

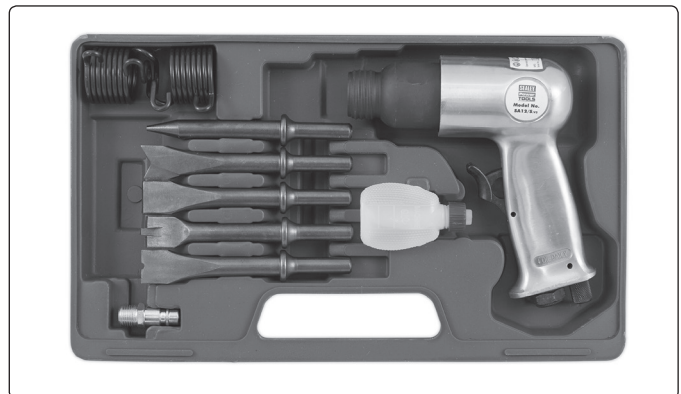
- ✓ Follow all workshop safety rules, regulations, and conditions when using hammer.
- ❑ **WARNING!** Disconnect the hammer from the air supply before changing accessories, servicing or performing any maintenance.
- ✓ Keep the hammer clean and maintain it in good condition (use an authorised service agent).
- ✓ Replace or repair damaged parts. Use genuine parts only. Unauthorised parts may be dangerous and will invalidate the warranty.
- ✓ Keep the work area clean and uncluttered. Ensure that there is adequate lighting.
- ✓ Ensure chisels are correctly rated for the job. **DO NOT** use damaged or suspect chisels.
- ❑ **WARNING!** Wear approved safety eye or face protection, ear defenders and, if dust is generated, respiratory protection.
- ✓ Keep hands and body clear of the work when operating the hammer.
- ✓ Maintain correct balance and footing. Ensure that the floor is not slippery and wear non-slip shoes.
- ✓ Remove ill fitting clothing. Remove ties, watches, rings and other loose jewellery and contain and/or tie back long hair.
- ✓ Keep children and unauthorised persons away from the work area.
- ✓ Check moving parts alignment on a regular basis.
- ✓ Secure unstable workpiece with a clamp, vice or other adequate holding device.
- ✓ Avoid unintentional starting.
- ❑ **WARNING!** Ensure that the correct air pressure is maintained and not exceeded.
- ✓ Keep air hose away from heat, oil and sharp edges. Check air hose for wear before each use and ensure that all connections are secure.
- * **DO NOT** use the hammer for a task it is not designed to perform.
- * **DO NOT** operate the hammer if any parts are damaged or missing as this may cause failure and/or personal injury.
- ❑ **WARNING! DO NOT** chisel into any materials containing asbestos.
- * **DO NOT** switch the hammer on whilst the chisel is in contact with the workpiece.
- * **DO NOT** carry the tool by the hose, or pull the hose from the air supply.
- * **DO NOT** hold the workpiece by hand. Use clamps or a vice (not included) to secure the workpiece. Available from your Sealey stockist.
- * **DO NOT** allow untrained persons to operate the hammer.
- * **DO NOT** operate the hammer when you are tired or under the influence of alcohol, drugs or intoxicating medication.
- * **DO NOT** use hammer where there is flammable liquid, solid or gas such as paint solvent, including waste wiping or cleaning rags etc.
- * **DO NOT** leave the hammer operating unattended.
- * **DO NOT** carry the hammer with your finger on the trigger.
- * **DO NOT** direct air from the air hose at yourself or others.
- ✓ When work is complete ensure that the air supply is turned off.
- ✓ When not in use disconnect from the air supply and store in a safe, dry, childproof area.

2. INTRODUCTION

Quality medium stroke air hammer supplied in carry-case. Kit also includes spare spring retainer, weld buster, special panel cutter, pointed chisel, muffler tail pipe remover and cold chisel.

3. SPECIFICATION

Model No:..... SA12/S
 Chisel Shank Size:.....0.401" Parker Taper
 Free Speed:..... 4500bpm
 Stroke: 32mm
 Air Consumption:..... 4cfm
 Operating Pressure:..... 90psi
 Air Inlet Size:..... 1/4"BSP
 Weight:..... 1.2kg
 Noise Power/Pressure: 95/84dB(A)
 Vibration/Uncertainty:..... 13.40/1.5m/s²



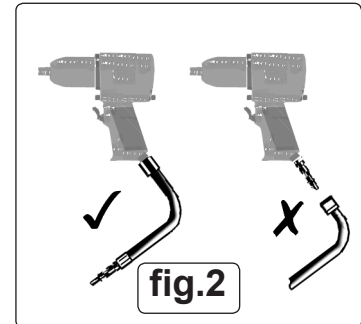
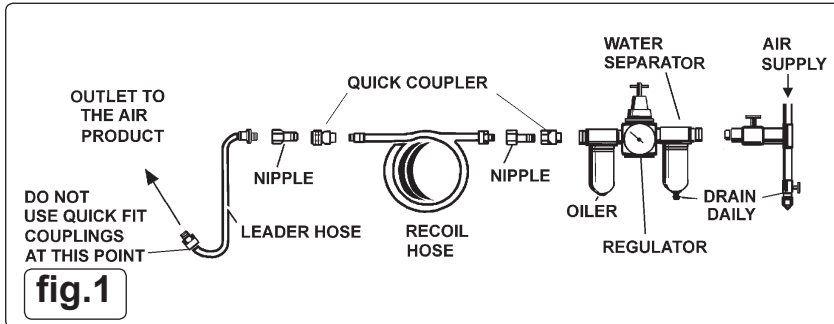
4. AIRSUPPLY

4.1. AIR SUPPLY

- ❑ **WARNING!** Ensure the air supply is clean and does not exceed 90psi while operating the hammer. Too high an air pressure and unclean air will shorten the product life due to excessive wear, and may be dangerous causing damage and/or personal injury.

- 4.1.1. Ensure hammer valve (or trigger) is in the "off" position before connecting to the air supply.
 - 4.1.2. You will require an air pressure of 90psi, and an air flow according to specification.
 - 4.1.3. Drain the air tank daily. Water in the air line will damage the hammer.
 - 4.1.4. Clean air inlet filter weekly. Recommended hook-up procedure is shown in fig.1.
 - 4.1.5. Keep hose away from heat, oil and sharp edges. Check hose for wear, and make certain that all connections are secure.
- 4.2. **COUPLINGS** (See figs.1 & 2).

Vibration may cause failure if a quick change coupling is connected directly to the hammer. To overcome this, connect a leader hose to the hammer. A quick change coupling may then be used to connect the leader hose to the air line recoil hose.



5. OPERATION

NOTE: Numbers in brackets refer to parts list.

The air hammer is designed primarily for use on vehicle bodywork. We **DO NOT** recommend any other use. Ensure you read, understand and follow the safety instructions in Section 1.

- 5.1. Attach the retaining spring (7) by screwing it onto the Cylinder (6).
- 5.2. Insert the chisel using the hooked end of the spring to hold the chisel in place.
- 5.3. Attached the tool to the air supply (see Section 4).
- 5.4. To operate the hammer, squeeze the trigger (8). The air regulator (13) may be used as a means of throttle control.

6. MAINTENANCE

- ❑ **WARNING!** Disconnect the hammer from the air supply before changing chisels, servicing or performing any maintenance.
- 6.1. Keep the hammer oiled for optimum performance. Lubricate with a good grade of air tool oil such as Sealey ATO/500 or ATO/1000. If there is no oiler in the air system then a teaspoon of oil can be poured into the air inlet of the hammer, or into the hose at the nearest connection to the air supply. Then run the hammer for a short time.
Note: The following external factors may cause loss of power and effect hammer performance:
- 6.2. **The air supply.** Reduced compressor output, excessive drain on the air line, moisture or restrictions in air pipes or the use of hose connectors having too small a bore. Correct as necessary.
- 6.3. **The hammer.** Grit or gum deposits in the tool. Correct by cleaning the air strainer and flushing out the tool with gum solvent oil or an equal mixture of SAE No.10 oil and kerosene. If, despite taking action as above, the tool function is still impaired, contact your local Sealey stockist.



ENVIRONMENT PROTECTION

Recycle unwanted materials instead of disposing of them as waste. All tools, accessories and packaging should be sorted, taken to a recycling centre and disposed of in a manner which is compatible with the environment. When the product becomes completely unserviceable and requires disposal, drain any fluids (if applicable) into approved containers and dispose of the product and fluids according to local regulations.

Note: It is our policy to continually improve products and as such we reserve the right to alter data, specifications and component parts without prior notice.

Important: No Liability is accepted for incorrect use of this product.

Warranty: Guarantee is 12 months from purchase date, proof of which is required for any claim.

Sealey Group, Kempson Way, Suffolk Business Park, Bury St Edmunds, Suffolk. IP32 7AR



01284 757500



01284 703534



sales@sealey.co.uk



www.sealey.co.uk

WARNING! – Risk of Hand Arm Vibration Injury.

This tool may cause Hand Arm Vibration Syndrome if its use is not managed adequately.
This tool is subject to the vibration testing section of the Machinery Directive 2006/42/EC.
This tool is to be operated in accordance with these instructions.

This tool has been tested in accordance with: EN ISO 28927-2:2009 & BS EN ISO 15744:2008.
Declaration and verification of Vibration Emission figures are in accordance with EN 12096:1997
Measured vibration emission value (a): 13.4 m/s²
Uncertainty value(k): 1.5 m/s²

Please note that the application of the tool to a sole specialist task may produce a different average vibration emission. We recommend that a specific evaluation of the vibration emission is conducted prior to commencing with a specialist task.

A health and safety assessment by the user (or employer) will need to be carried out to determine the suitable duration of use for each tool.

NB: Stated Vibration Emission values are type-test values and are intended to be typical.

Whilst in use, the actual value will vary considerably from and depend on many factors.

Such factors include; the operator, the task and the inserted tool or consumable.

NB: ensure that the length of leader hoses is sufficient to allow unrestricted use, as this also helps to reduce vibration.

The state of maintenance of the tool itself is also an important factor, a poorly maintained tool will also increase the risk of Hand Arm Vibration Syndrome.

Health surveillance.

We recommend a programme of health surveillance to detect early symptoms of vibration injury so that management procedures can be modified accordingly.

Personal protective equipment.

We are not aware of any personal protective equipment (PPE) that provides protection against vibration injury that may result from the uncontrolled use of this tool. We recommend a sufficient supply of clothing (including gloves) to enable the operator to remain warm and dry and maintain good blood circulation in fingers etc. Please note that the most effective protection is prevention, please refer to the Correct Use and Maintenance section in these instructions. Guidance relating to the management of hand arm vibration can be found on the HSC website www.hse.gov.uk - Hand-Arm Vibration at Work.