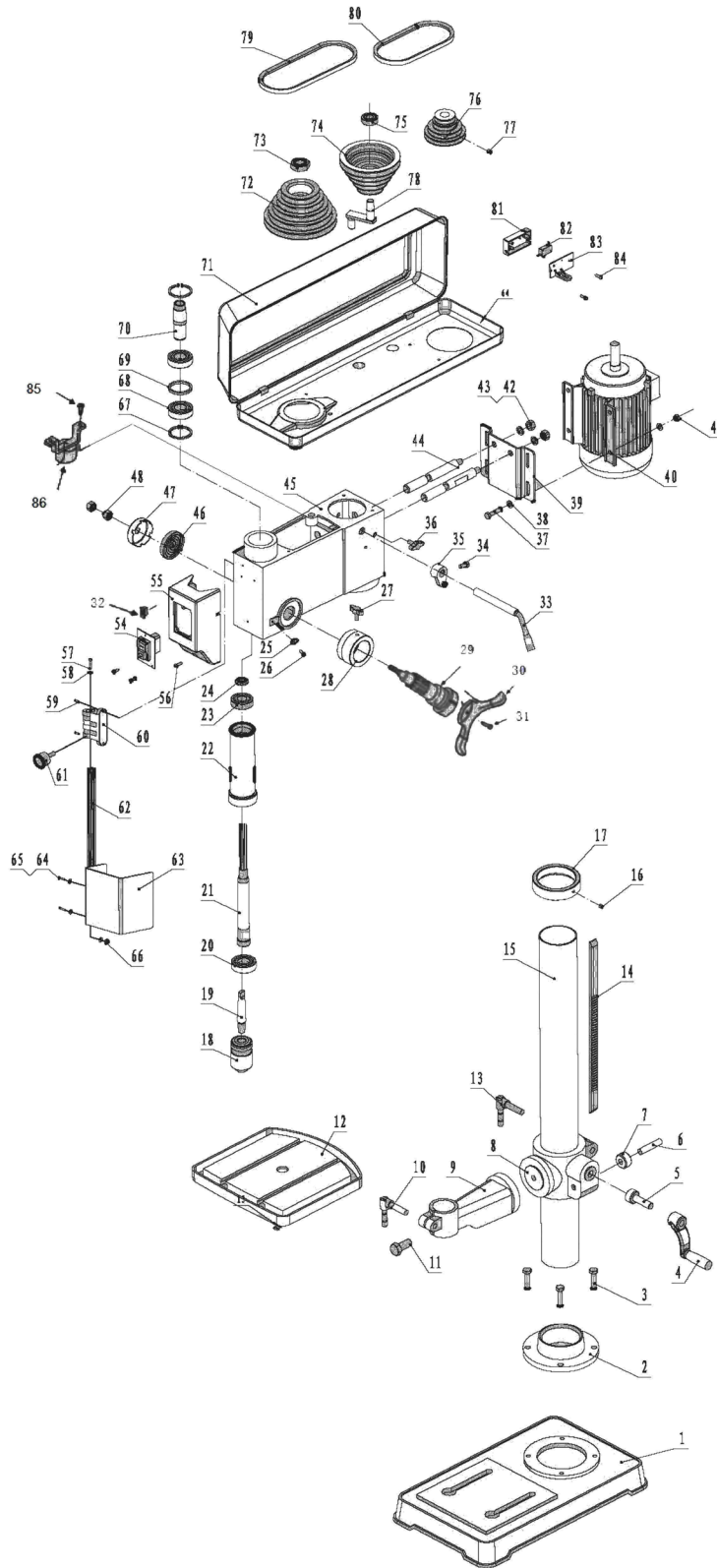




Parts Information:  
Pillar Drill Floor 16-Speed 1635mm Height  
230V  
Model No: PDM240F.V2



**NOTE:** It is our policy to continually improve products and as such we reserve the right to alter data, specifications and component parts without prior notice.

**IMPORTANT:** No liability is accepted for incorrect use of product.

**WARRANTY:** Guarantee is 12 months from purchase date, proof of which will be required for any claim.

Sealey Group, Kempson Way, Suffolk Business Park, Bury St Edmunds, Suffolk. IP32 7AR



01284 757500



01284 703534



sales@sealey.co.uk



www.sealey.co.uk



Parts Information:  
**Pillar Drill Floor 16-Speed 1635mm Height  
 230V**  
**Model No: PDM240F.V2**

Item	Part No.	Description
1	PDM240FV2-01	Base
2	PDM240FV2-02	Support Column
3	SS1040.S	Hex head set screw m10x40mm single black
4	PDM240FV2-04	Table Crank
5	PDM240FV2-05	Elevation Worm
6	PDM240FV2-06	Pin for Gear
7	PDM240FV2-07	Helical Gear
8	PDM240FV2-08	Table Support w/ Indicator
9	PDM240FV2-09	Table Arm w/ Scale
10	PDM240FV2-10	Table Clamp
11	PDM240FV2-11	Screw
12	PDM240FV2-12	Table
13	PDM240FV2-13	Locking Handle
14	PDM240FV2-14	Rack
15	PDM240FV2-15	Column Tube
16	GSM610.S	Grub Screw M6x10 (single)
17	PDM240FV2-17	Column Collar
18	PDM240FV2-18	Chuck
19	PDM240FV2-19	Arbor
20	B/6206ZZ	Bearing 6206ZZ
21	PDM240FV2-21	Spindle
22	PDM240FV2-22	Quill Tube
23	B/6203ZZ	Bearing 6203ZZ
24	PDM240FV2-24	Lock Nut
25	PDM240FV2-25	Pointer
26	PDM240FV2-26	Pan Head Screw
27	PDM240FV2-27	Depth Screw Lock
28	PDM240FV2-28	Ring Depth Stop w/ Scale
29	PDM240FV2-29	Hub
30	PDM240FV2-30	Handle
31	SCB820.SB	Socket Head Cap Screw M8x20 Black
32	PDM240FV2-32	Lamp Switch
33	PDM240FV2-33	Tensioning handle
34	PDM240FV2-34	Screw Hex Hd M8x1.25-16
35	PDM240FV2-35	Adjusting Lever
36	PDM240FV2-36	Motor Adjusting Knob
37	SS825.SB	Hex Head Set Screw M8x25mm Single Black
38	FWM8.SB	Flat Washer M8 Black (single)
39	PDM240FV2-39	Motor Mount
40	PDM240FV2-40	Motor
41	SN8.SB	Steel Nut M8 Black (single)

Item	Part No.	Description
42	SN8.SB	Steel Nut M8 Black (single)
43	SWM8.SB	Spring Washer M8 Black (single)
44	PDM240FV2-44	Motor Bracket Support
45	PDM240FV2-45	Head w/ Pointer and Trim
46	PDM240FV2-46	Torsion Spring
47	PDM240FV2-47	Spring Cap
48	PDM240FV2-48	Spring Cap Nut
54	PDM240FV2-54	Switch
55	PDM240FV2-55	Switch Box
56	PDM240FV2-56	Screw Pan Head M5x0.8-16
57	PDM240FV2-57	Hex screw
58	PDM240FV2-58	Big Washer
59	PDM240FV2-59	Pan Head Screw
60	PDM240FV2-60	Micro Switch Assembly
61	PDM240FV2-61	Lock Button
62	PDM240FV2-62	Chuck Guard Rod (300mm)
63	PDM240FV2-63	Chuck Guard
64	PDM240FV2-64	Washer
65	PDM240FV2-65	Pan Head Screw
66	PDM240FV2-66	Lock Nut
67	PDM240FV2-67	Retaining Ring
68	B/6205ZZ	Bearing 6205ZZ
69	PDM240FV2-69	Bearing Spacer
70	PDM240FV2-70	Pulley Insert
71	PDM240FV2-71	Pulley Guard
72	PDM240FV2-72	Spindle Pulley
73	PDM240FV2-73	Pulley Nut
74	PDM240FV2-74	Center Pulley
75	B/6202ZZ	Bearing 6202ZZ
76	PDM240FV2-76	Motor Pulley
77	GSM815.S	Grub Screw M8x15 (single)
78	PDM240FV2-78	Idler Pivot
79	V/M25	V-Belt (Id-630) M25
80	V/M26	V-belt (Id-650) M26
81	PDM240FV2-81	Micro switch cover
82	PDM240FV2-82	Micro switch
83	PDM240FV2-83	Micro switch cover
84	PDM240FV2-84	Self-tapping screw
85	PDM240FV2-85	Pan Head Screw
86	PDM240FV2-86	Lamp socket

**NOTE:** It is our policy to continually improve products and as such we reserve the right to alter data, specifications and component parts without prior notice.

**IMPORTANT:** No liability is accepted for incorrect use of product.

**WARRANTY:** Guarantee is 12 months from purchase date, proof of which will be required for any claim.

**Sealey Group**, Kempson Way, Suffolk Business Park, Bury St Edmunds, Suffolk. IP32 7AR



01284 757500



01284 703534



sales@sealey.co.uk



www.sealey.co.uk