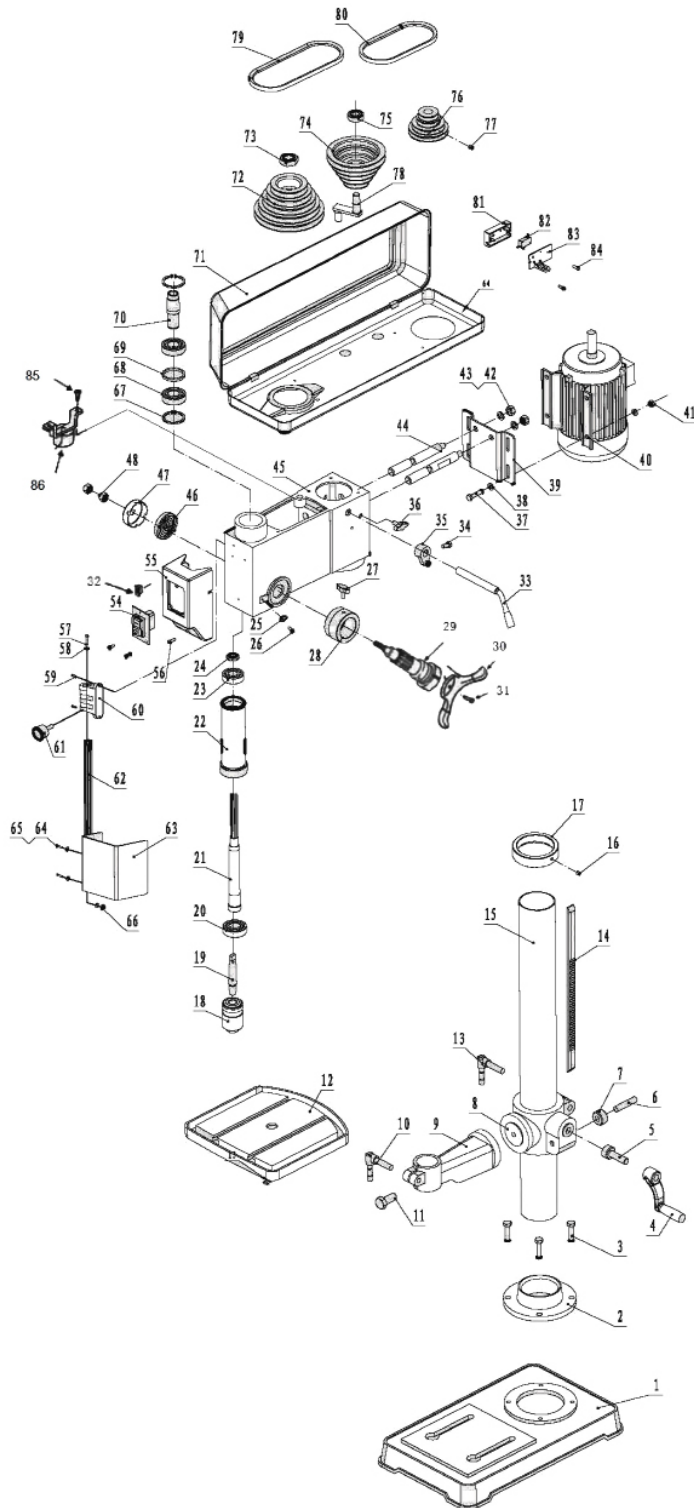




Parts Information:  
Pillar Drill Floor 16-Speed 1610mm Height  
230V  
Model No: PDM210F.V2



**NOTE:** It is our policy to continually improve products and as such we reserve the right to alter data, specifications and component parts without prior notice.

**IMPORTANT:** No liability is accepted for incorrect use of product.

**WARRANTY:** Guarantee is 12 months from purchase date, proof of which will be required for any claim.

Sealey Group, Kempson Way, Suffolk Business Park, Bury St Edmunds, Suffolk. IP32 7AR



01284 757500



01284 703534



sales@sealey.co.uk



www.sealey.co.uk



Parts Information:  
**Pillar Drill Floor 16-Speed 1610mm Height  
 230V**  
**Model No: PDM210F.V2**

Item	Part No.	Description
1	PDM210F.V2-01	Base
2	PDM210F.V2-02	Support Column
3	SS1040.S	Hex head set screw m10x40mm single black
4	PDM210F.V2-04	Table Crank
5	PDM210F.V2-05	Elevation Worm
6	PDM210F.V2-06	Pin for Gear
7	PDM210F.V2-07	Helical Gear
8	PDM210F.V2-08	Table Support w/ Indicator
9	PDM210F.V2-09	Table Arm w/ Scale
10	PDM210F.V2-10	Table Clamp
11	PDM210F.V2-11	Screw
12	PDM210F.V2-12	Table
13	PDM210F.V2-13	Locking Handle
14	PDM210F.V2-14	Rack
15	PDM210F.V2-15	Column Tube
16	GSM1012.S	Grub Screw M10x12 (single)
17	PDM210F.V2-17	Column Collar
18	PDM210F.V2-18	Chuck
19	PDM210F.V2-19	Arbor
20	B/6204ZZ	Bearing 6204ZZ
21	PDM210F.V2-21	Spindle
22	PDM210F.V2-22	Quill Tube
23	B/6203ZZ	Bearing 6203ZZ
24	PDM210F.V2-24	Lock Nut
25	PDM210F.V2-25	Pointer
26	PDM210F.V2-26	Pan Head Screw
27	PDM210F.V2-27	Depth Screw Lock
28	PDM210F.V2-28	Ring Depth Stop w/ Scale
29	PDM210F.V2-29	Hub
30	PDM210F.V2-30	Handle
31	SCB820.SB	Socket Head Cap Screw M8x20 Black
32	PDM210F.V2-32	Lamp Switch
33	PDM210F.V2-33	Tensioning handle
34	PDM210F.V2-34	Screw Hex Hd M8x1.25-16
35	PDM210F.V2-35	Adjusting Lever
36	PDM210F.V2-36	Motor Adjusting Knob
37	SS825.SB	Hex Head Set Screw M8x25mm Single Black
38	FWM8.SB	Flat Washer M8 Black (single)
39	PDM210F.V2-39	Motor Mount
40	PDM210F.V2-40	Motor
41	SN8,SB	Steel Nut M8 Black (single)

Item	Part No.	Description
42	SN8.SB	Steel Nut M8 Black (single)
43	SWM8.SB	Spring Washer M8 Black (single)
44	PDM210F.V2-44	Motor Bracket Support
45	PDM210F.V2-45	Head w/ Pointer and Trim
46	PDM210F.V2-46	Torsion Spring
47	PDM210F.V2-47	Spring Cap
48	PDM210F.V2-48	Spring Cap Nut
54	PDM210F.V2-54	Switch
55	PDM210F.V2-55	Switch Box
56	PDM210F.V2-56	SCREW PAN HEAD M5X0.8-16
57	PDM210F.V2-57	Hex screw
58	PDM210F.V2-58	Big Washer
59	PDM210F.V2-59	Pan Head Screw
60	PDM210F.V2-60	Micro Switch Assembly
61	PDM210F.V2-61	Lock Button
62	PDM210F.V2-62	Chuck Guard Rod (300mm)
63	PDM210F.V2-63	Chuck Guard
64	PDM210F.V2-64	Washer
65	PDM210F.V2-65	Pan Head Screw
66	PDM210F.V2-66	Self-locking Nut
67	PDM210F.V2-67	Retaining Ring
68	B/6204ZZ	Bearing 6204ZZ
69	PDM210F.V2-69	Bearing Spacer
70	PDM210F.V2-70	Pulley Insert
71	PDM210F.V2-71	Pulley Guard
72	PDM210F.V2-72	Spindle Pulley
73	PDM210F.V2-73	Pulley Nut
74	PDM210F.V2-74	Center Pulley
75	B/6202ZZ	Bearing 6202ZZ
76	PDM210F.V2-76	Motor Pulley
77	GSM815.S	Grub Screw M8x15 (single)
78	PDM210F.V2-78	Idler Pivot
79	V/M25	V-Belt (Id-630) M25
80	V/M26	V-belt (Id-650) M26
81	PDM210F.V2-81	Micro switch cover
82	PDM210F.V2-82	Micro switch
83	PDM210F.V2-83	Micro switch cover
84	PDM210F.V2-84	Self-tapping screw
85	PDM210F.V2-85	Pan Head Screw
86	PDM210F.V2-86	Lamp socket

**NOTE:** It is our policy to continually improve products and as such we reserve the right to alter data, specifications and component parts without prior notice.

**IMPORTANT:** No liability is accepted for incorrect use of product.

**WARRANTY:** Guarantee is 12 months from purchase date, proof of which will be required for any claim.

**Sealey Group**, Kempson Way, Suffolk Business Park, Bury St Edmunds, Suffolk. IP32 7AR



01284 757500



01284 703534



sales@sealey.co.uk



www.sealey.co.uk