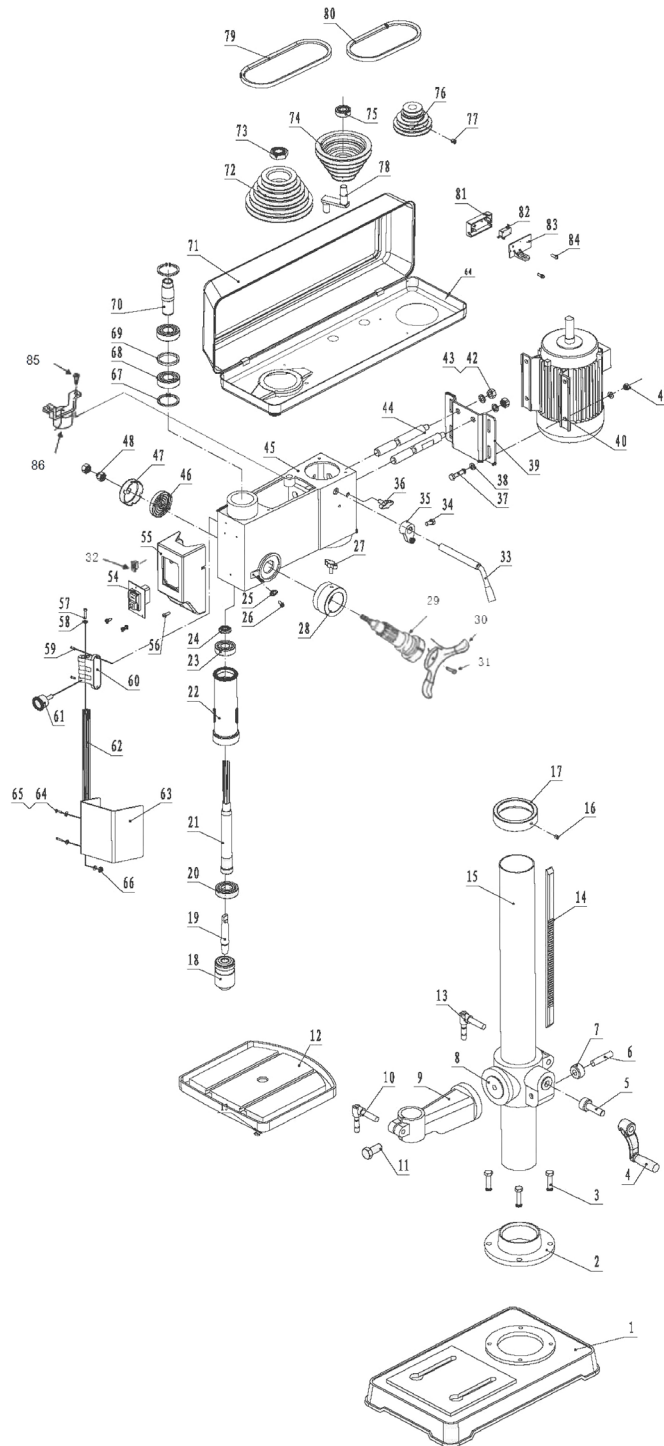




Parts Information:
**Pillar Drill Bench 16-Speed 1050mm Height
230V
Model No: PDM155B.V2**



NOTE: It is our policy to continually improve products and as such we reserve the right to alter data, specifications and component parts without prior notice.

IMPORTANT: No liability is accepted for incorrect use of product.

WARRANTY: Guarantee is 12 months from purchase date, proof of which will be required for any claim.

Sealey Group, Kempson Way, Suffolk Business Park, Bury St Edmunds, Suffolk. IP32 7AR



01284 757500



01284 703534



sales@sealey.co.uk



www.sealey.co.uk



Parts Information:
**Pillar Drill Bench 16-Speed 1050mm Height
 230V**
Model No: PDM155B.V2

| Item | Part No. | Description |
|------|---------------|---|
| 1 | PDM155B.V2-01 | Base |
| 2 | PDM155B.V2-02 | Support Column |
| 3 | SS1040.S | Hex Head Set Screw M10x40mm Single |
| 4 | PDM155B.V2-04 | Table Crank |
| 5 | PDM155B.V2-05 | Elevation Worm |
| 6 | PDM155B.V2-06 | Pin for Gear |
| 7 | PDM155B.V2-07 | Helical Gear |
| 8 | PDM155B.V2-08 | Table Support w/ Indicator |
| 9 | PDM155B.V2-09 | Table Arm w/ Scale |
| 10 | PDM155B.V2-10 | Table Clamp |
| 11 | PDM155B.V2-11 | Screw |
| 12 | PDM155B.V2-12 | Table |
| 13 | PDM155B.V2-13 | Locking Handle |
| 14 | PDM155B.V2-14 | Rack |
| 15 | PDM155B.V2-15 | Column Tube |
| 16 | GSM610.S | Grub Screw M6x10 (Single) |
| 17 | PDM155B.V2-17 | Column Collar |
| 18 | PDM155B.V2-18 | Chuck |
| 19 | PDM155B.V2-19 | Arbor |
| 20 | B/6204ZZ | Bearing 6204ZZ |
| 21 | PDM155B.V2-21 | Spindle |
| 22 | PDM155B.V2-22 | Quill Tube |
| 23 | B/6203ZZ | Bearing 6203ZZ |
| 24 | PDM155B.V2-24 | Lock Nut |
| 25 | PDM155B.V2-25 | Pointer |
| 26 | PDM155B.V2-26 | Pan Head Screw |
| 27 | PDM155B.V2-27 | Depth Screw Lock |
| 28 | PDM155B.V2-28 | Ring Depth Stop w/ Scale |
| 29 | PDM155B.V2-29 | Hub |
| 30 | PDM155B.V2-30 | Handle |
| 31 | SCB820.SB | Socket Head Cap Screw M8x20 Black |
| 32 | PDM155B.V2-32 | Lamp Switch |
| 33 | PDM155B.V2-33 | Tensioning Handle |
| 34 | SCB815.SB | Socket End Cap Screw M8x15 Black |
| 35 | PDM155B.V2-35 | Adjusting Lever |
| 36 | PDM155B.V2-36 | Motor Adjusting Knob |
| 37 | SS825.SB | Hex Head Set Screw M8x25mm Single Black |
| 38 | FWM8.SB | Flat Washer M8 Black (Single) |
| 39 | PDM155B.V2-39 | Motor Mount |
| 40 | PDM155B.V2-40 | Motor |
| 41 | SN8.SB | Steel Nut M8 Black (Single) |

| Item | Part No. | Description |
|------|---------------|--|
| 42 | SN8.SB | Steel Nut M8 Black (Single) |
| 43 | SWM8.SB | Spring Washer M8 Black (Single) |
| 44 | PDM155B.V2-44 | Motor Bracket Support |
| 45 | PDM155B.V2-45 | Head w/ Pointer and Trim |
| 46 | PDM155B.V2-46 | Torsion Spring |
| 47 | PDM155B.V2-47 | Spring Cap |
| 48 | PDM155B.V2-48 | Spring Cap Nut |
| 54 | PDM155B.V2-54 | Switch |
| 55 | PDM155B.V2-55 | Switch Box |
| 56 | MSP58.SB | Machine Screw Pan Head Phillips M5x8mm Black |
| 57 | PDM155B.V2-57 | Hex Screw |
| 58 | PDM155B.V2-58 | Big Washer |
| 59 | PDM155B.V2-59 | Pan Head Screw |
| 60 | PDM155B.V2-60 | Micro Switch Assembly |
| 61 | PDM155B.V2-61 | Lock Button |
| 62 | PDM155B.V2-62 | Chuck Guard Rod (300mm) |
| 63 | PDM155B.V2-63 | Chuck Guard |
| 64 | PDM155B.V2-64 | Washer |
| 65 | PDM155B.V2-65 | Pan Head Screw |
| 66 | PDM155B.V2-66 | Self-locking Nut |
| 67 | PDM155B.V2-67 | Retaining Ring |
| 68 | B/6204ZZ | Bearing 6204ZZ |
| 69 | PDM155B.V2-69 | Bearing Spacer |
| 70 | PDM155B.V2-70 | Pulley Insert |
| 71 | PDM155B.V2-71 | Pulley Guard |
| 72 | PDM155B.V2-72 | Spindle Pulley |
| 73 | PDM155B.V2-73 | Pulley Nut |
| 74 | PDM155B.V2-74 | Center Pulley |
| 75 | B/6202ZZ | Bearing 6202ZZ |
| 76 | PDM155B.V2-76 | Motor Pulley |
| 77 | GSM815.S | Grub Screw M8x15 (Single) |
| 78 | PDM155B.V2-78 | Idler Pivot |
| 79 | PDM155B.V2-79 | V-Belt (Id-630) M25 |
| 80 | PDM155B.V2-80 | V-belt (Id-650) M26 |
| 81 | PDM155B.V2-81 | Micro Switch Cover |
| 82 | PDM155B.V2-82 | Micro Switch |
| 83 | PDM155B.V2-83 | Micro Switch Cover |
| 84 | PDM155B.V2-84 | Self-tapping Screw |
| 85 | PDM155B.V2-85 | Pan Head Screw |
| 86 | PDM155B.V2-86 | Lamp Socket |

NOTE: It is our policy to continually improve products and as such we reserve the right to alter data, specifications and component parts without prior notice.

IMPORTANT: No liability is accepted for incorrect use of product.

WARRANTY: Guarantee is 12 months from purchase date, proof of which will be required for any claim.

Sealey Group, Kempson Way, Suffolk Business Park, Bury St Edmunds, Suffolk. IP32 7AR



01284 757500



01284 703534



sales@sealey.co.uk



www.sealey.co.uk