



INSTRUCTIONS FOR
ROTATING UNIVERSAL PANEL STAND
 MODEL NO: **MK62**

Thank you for purchasing a Sealey product. Manufactured to a high standard, this product will, if used according to these instructions, and properly maintained, give you years of trouble free performance.

IMPORTANT: PLEASE READ THESE INSTRUCTIONS CAREFULLY. NOTE THE SAFE OPERATIONAL REQUIREMENTS, WARNINGS & CAUTIONS. USE THE PRODUCT CORRECTLY AND WITH CARE FOR THE PURPOSE FOR WHICH IT IS INTENDED. FAILURE TO DO SO MAY CAUSE DAMAGE AND/OR PERSONAL INJURY AND WILL INVALIDATE THE WARRANTY. KEEP THESE INSTRUCTIONS SAFE FOR FUTURE USE.



Refer to instructions

1. SAFETY

- ✓ Familiarise yourself with the application, limitations and hazards of the panel stand.
- ✓ Maintain the panel stand in good condition (use authorised replacement parts).
- ✓ Keep the panel stand clean for best and safest performance.
- ✓ Locate the panel stand in a suitable work area.
- ☐ **WARNING!** Use the panel stand on level and solid ground, preferably concrete.
- ✗ **DO NOT** overload the panel stand.
- ✗ **DO NOT** climb on the panel stand.
- ✗ **DO NOT** use the panel stand for any purpose other than for which it is designed.
- ✗ **DO NOT** use the panel stand if any parts are damaged or missing as this may cause failure and/or personal injury.
- ✓ Keep the work area clean, uncluttered and ensure that there is adequate lighting.
- ✓ Keep children and unauthorised persons away from the work area.
- ☐ **WARNING!** The warnings, cautions and instructions discussed in this manual cannot cover all possible conditions and situations that may occur. It must be understood that common sense and caution are factors which cannot be built into this product, but must be applied by the operator.

2. INTRODUCTION

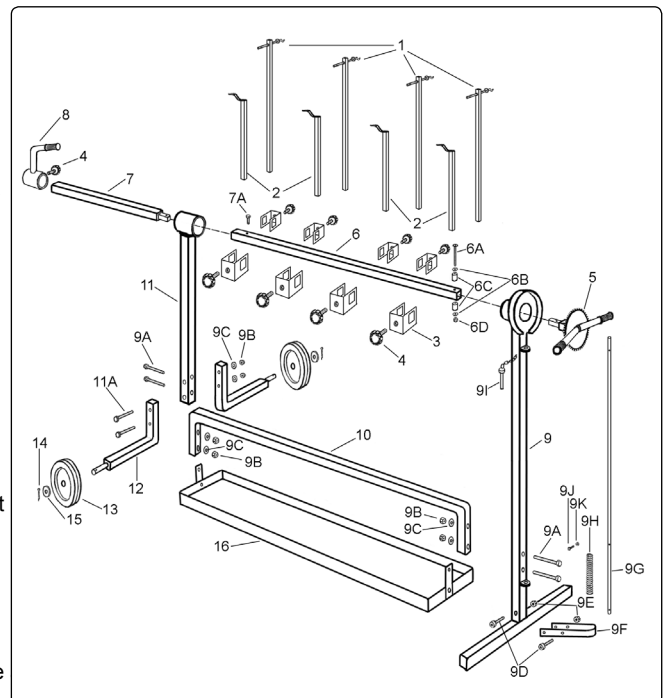
Suitable for supporting multiple panels and trims including wings, bumpers and spoilers. Eight adjustable bars and 360° rotation make this stand suitable for almost any panel types. Portable for easy manoeuvring of application from preparation to spray booth. Built-in storage tray for easy and convenient selection

3. SPECIFICATION

Model No.....	MK62
Overall Length	1600mm
Short Adjustable Bar (x4)	450mm
Long Adjustable Bar (x4).....	750mm
Height (without Bars).....	1070mm
Maximum Capacity.....	90Kg

4. ASSEMBLY

- 4.1. Attach fixed pole (10) and tray (16) to the front brace (9), and rear brace (11) using bolts (9A), washers (9C) and nuts (9B).
- 4.2. Attach the two wheel poles (12) to the rear brace (11) using bolts (11A), washers (9C) and nuts (9B).
- 4.3. Check that the frame is square and fully tighten all fixings.
- 4.4. Attach wheels (13) to the wheel poles and secure with large washer (15) and cotter pin (14).
- 4.5. Lay the frame carefully on its side and slide the front bar (9G) through the lower bracket on the front brace (9), position the spring (9H) above the bracket and slide the front bar through the spring and through the top bracket.
- 4.6. Attach the foot pedal to the front brace and to the base of the front bar using bolts (9D) and nuts (9E).
- 4.7. Upright the frame, the spring will rest on the lower bracket, lift the pedal up until the bolt hole in the front bar is clear of the spring and insert the spring retaining bolt (9J) and secure with nut (9K). Press the pedal down and lock the bar down with safety pin (9I).
- 4.8. Slide the buckles onto pole (6) alternate each one as shown in the brace and into pole (6), secure using bolt (7A), insert the



adjustable gear wheel (5) through the front brace into the other end of pole (6), and secure using screw (6A), washers (6B), spacers (6C) and nuts (6D).

Note: Some buckles may require positioning onto the extension pole (7) before securing.

- 4.9. Press on the foot pedal and remove the safety pin, release the pedal to lock the assembly into position.
- 4.10. Slide Handle (8) onto the end of the extension pole (7) and secure with knob (4).
- 4.11. Insert the short arms (2) and long arms (1) into the buckles and lock into the required position with knobs

5. MOUNTING SOLUTIONS

- 5.1. Due to the universal nature of this unit and its capabilities to mount many types of automobile parts, mounting instructions must be given in a general manner. When mounting any part you must first determine what would be the safest way to secure the automobile part to the panel Stand.
- 5.2. Begin by examining the specific part that is being mounted and look for holes on the part that will allow the long arm or short arm to be inserted into.
- 5.3. Select holes that are as close to the size of the hook/straight mount for best support.
- 5.4. Select holes at the furthest point on the part being mounted for better support.
The arms can be set at an angled position for wider range/support and can be used separately or in conjunction.
- 5.5. The Long Arms have a hook on one side and straight mount on opposite side. Depending on size of hole selected to mount part, select which will secure part best.
- 5.6. The Short Arms have holes at the end which can be used to secure part being mounted. If part being mounted has a lip/tab with hole, align the hole on the Prop Arm with the hole on the lip/tab and secure by using a nut & bolt (not included).
- 5.7. Begin mounting process by deciding length necessary for Long Arm/Short Arm. Secure arms into place by tightening knobs.
- 5.8. Mount part onto Arm. Before proceeding to next step, assure that part is secure and weight is well distributed and will not cause stand to tip over.
- 5.9. Mount bottom of part to Arm. Follow instructions in step 5.2.
- 5.10. Assure that part is mounted securely. Test by slowly rotating part. Readjust if required.



Bumper



Door



Bonnet



Environmental Protection

Recycle unwanted materials instead of disposing of them as waste. All tools, accessories and packaging should be sorted, taken to a recycling centre and disposed of in a manner which is compatible with the environment. When the product becomes completely unserviceable and requires disposal, drain off any fluids (if applicable) into approved containers and dispose of the product and the fluids according to local regulations.

NOTE: It is our policy to continually improve products and as such we reserve the right to alter data, specifications and component parts without prior notice.

IMPORTANT: No liability is accepted for incorrect use of this product.

WARRANTY: Guarantee is 12 months from purchase date, proof of which will be required for any claim.



Sole UK Distributor, Sealey Group.
Kempson Way, Suffolk Business Park,
Bury St. Edmunds, Suffolk.
IP32 7AR



01284 757500



01284 703534



www.sealey.co.uk



sales@sealey.co.uk