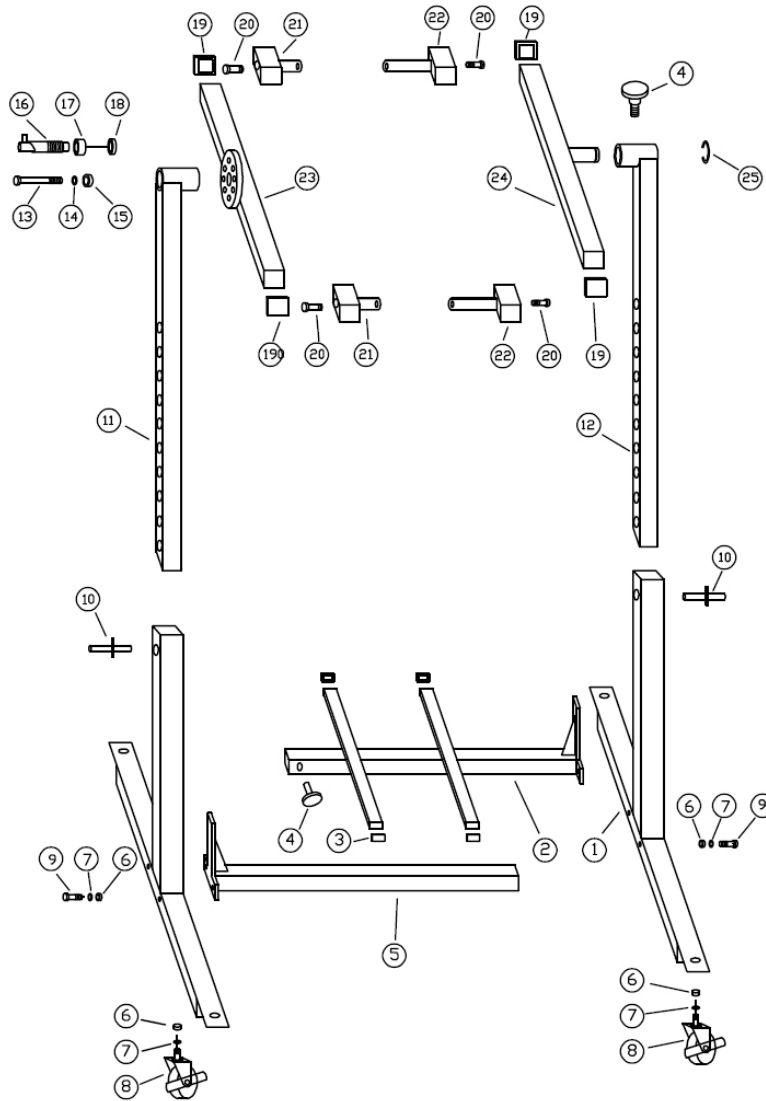


Parts Information: Engine Rebuild Stand - Multi Cylinder 75kg Capacity Model No: MES02



Item	Part No.	Description
1	MES02.01	UPRIGHT POST
2	MES02.02	BOTTOM FRAME (A)
3	MES02.03	PLASTIC COVER
4	MES02.04	LOCKING BOLT
5	MES02.05	BOTTOM FRAME (B)
6	MES02.06	NUT
7	MES02.07	WASHER
8	MES02.08	WHEEL,CASTOR (W/BRAKE)(49x5x22x68)
9	MES02.09	BOLT
10	MES02.10	PIN
11	MES02.11	UPRIGHT POST (A)
12	MES02.12	UPRIGHT POST (B)
13	MES02.13	BOLT

Item	Part No.	Description
14	MES02.14	WASHER
15	MES02.15	NUT
16	MES02.16	RATCHET SET
17	SN18.S	STEEL NUT M18 ZINC DIN934(SINGLE)
18	SN18.S	STEEL NUT M18 ZINC DIN934(SINGLE)
19	MES02.19	PLASTIC COVER
20	MES02.20	BOLT
21	MES02.21	SUPPORTING FRAME (A)
22	MES02.22	SUPPORTING FRAME (B)
23	MES02.23	ROTARY FRAME (A)
24	MES02.24	ROTARY FRAME (B)
25	MES02.25	CIRCLIP

NOTE: It is our policy to continually improve products and as such we reserve the right to alter data, specifications and component parts without prior notice.

IMPORTANT: No liability is accepted for incorrect use of product.

WARRANTY: Guarantee is 12 months from purchase date, proof of which will be required for any claim.