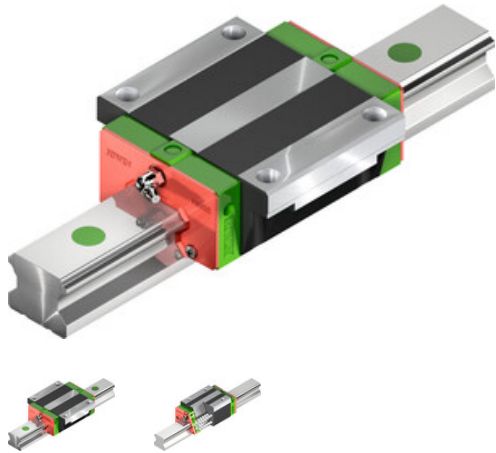


Data sheet

HGW35CCZ0H

HIWIN[®]



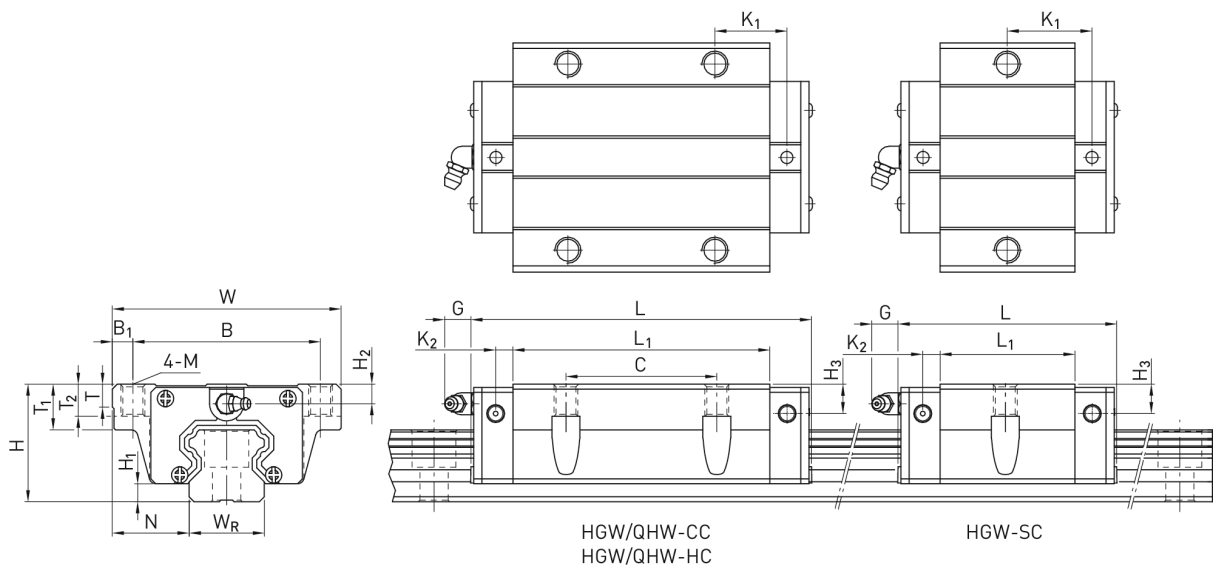
Type:
HGW35CCZ0H
Article number:
5-001215

Preload:
Z0: Light preload

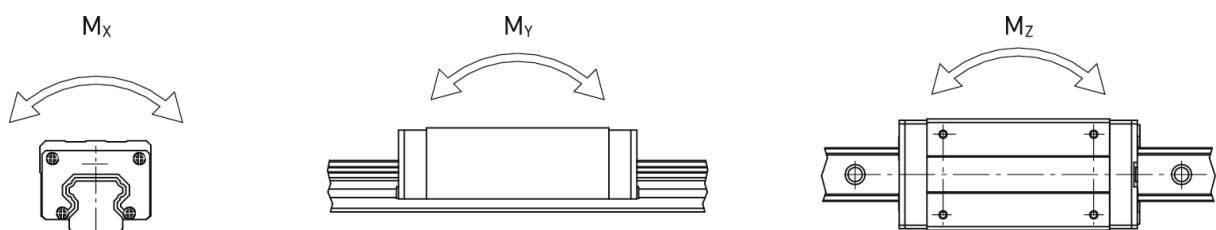
Accuracy class:
H

TECHNICAL DETAILS

Dimensions



Moments



Dimensions

| | | | |
|----------------|--------------|-------|----|
| H | Total height | 48 | mm |
| H ₁ | | 7,5 | mm |
| N | | 33 | mm |
| W | Block width | 100 | mm |
| B | | 82 | mm |
| B ₁ | | 9 | mm |
| C | | 62 | mm |
| L ₁ | | 80 | mm |
| L | Block length | 112,4 | mm |
| K ₁ | | 14,6 | mm |
| K ₂ | | 7 | mm |
| G | | 12 | mm |
| M | | M10 | |
| T | | 10,1 | mm |
| T ₁ | | 18 | mm |
| T ₂ | | 13 | mm |
| H ₂ | | 9 | mm |
| H ₃ | | 12,6 | mm |
| | Mass | 1,56 | kg |

Load ratings and torques

| | | | |
|-----------|---------------------|--------|----|
| C_{dyn} | Dynamic load rating | 64.600 | N |
| C_0 | Static load rating | 93.880 | N |
| M_{0x} | Static moment | 1.160 | Nm |
| M_{0y} | Static moment | 1.090 | Nm |
| M_{0z} | Static moment | 1.090 | Nm |