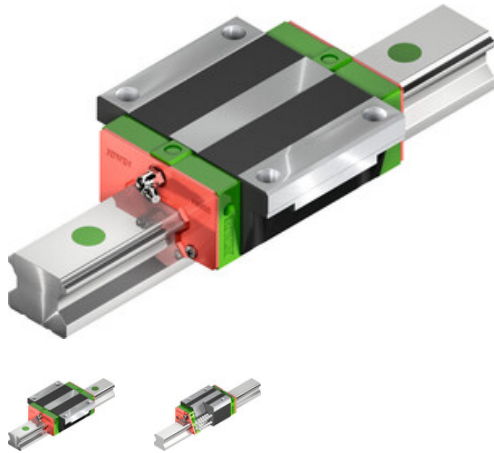


# Data sheet

HGW35CCZ0C

**HIWIN**<sup>®</sup>



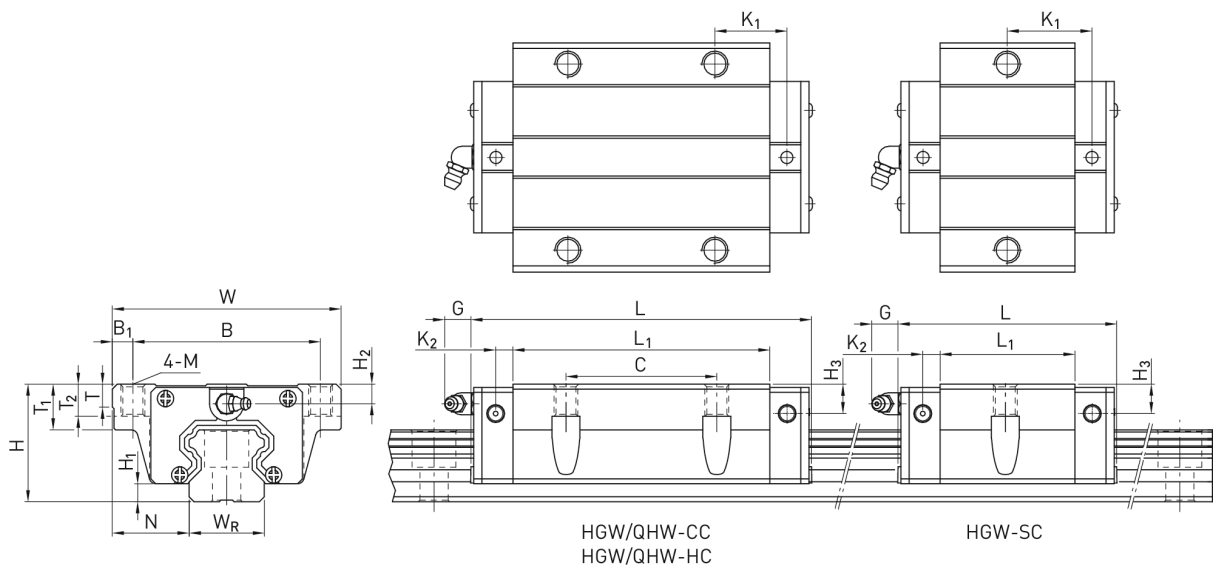
Type:  
HGW35CCZ0C  
Article number:  
5-001213

Preload:  
Z0: Light preload

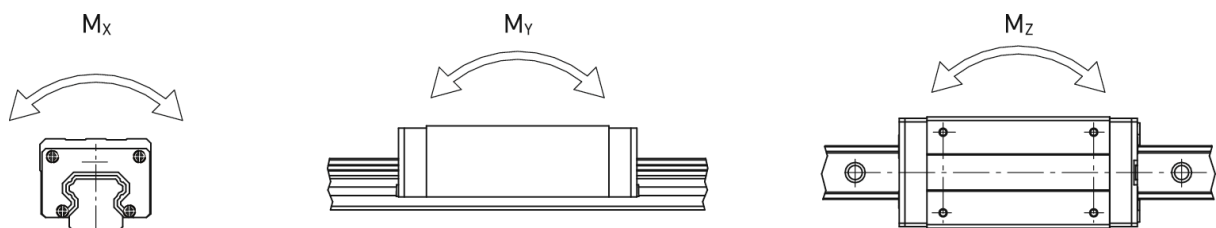
Accuracy class:  
C

## TECHNICAL DETAILS

### Dimensions



### Moments



## Dimensions

H	Total height	48	mm
H <sub>1</sub>		7,5	mm
N		33	mm
W	Block width	100	mm
B		82	mm
B <sub>1</sub>		9	mm
C		62	mm
L <sub>1</sub>		80	mm
L	Block length	112,4	mm
K <sub>1</sub>		14,6	mm
K <sub>2</sub>		7	mm
G		12	mm
M		M10	
T		10,1	mm
T <sub>1</sub>		18	mm
T <sub>2</sub>		13	mm
H <sub>2</sub>		9	mm
H <sub>3</sub>		12,6	mm
	Mass	1,56	kg

### Load ratings and torques

$C_{dyn}$	Dynamic load rating	64.600	N
$C_0$	Static load rating	93.880	N
$M_{0x}$	Static moment	1.160	Nm
$M_{0y}$	Static moment	1.090	Nm
$M_{0z}$	Static moment	1.090	Nm