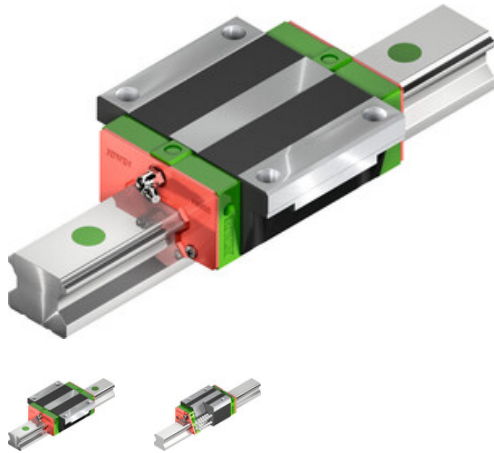


# Data sheet

HGW30CCZ0C

**HIWIN**<sup>®</sup>



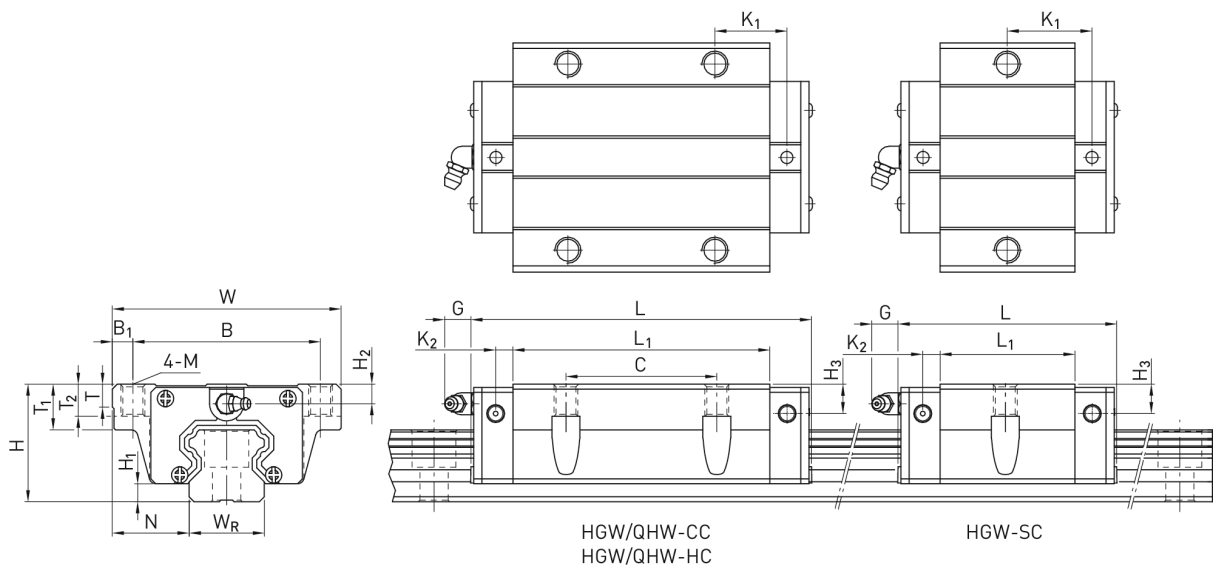
Type:  
HGW30CCZ0C  
Article number:  
5-001185

Preload:  
Z0: Light preload

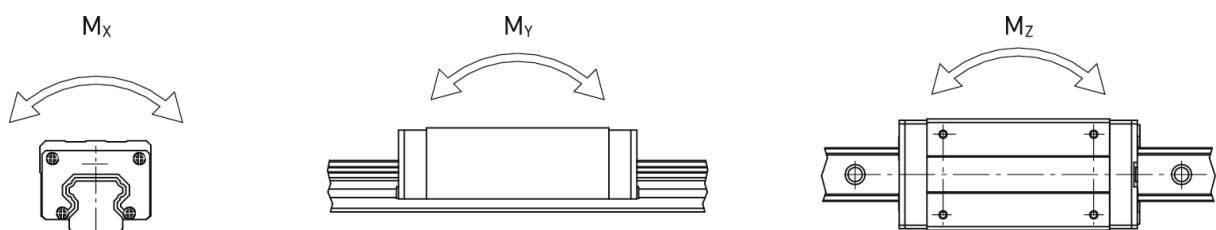
Accuracy class:  
C

## TECHNICAL DETAILS

### Dimensions



### Moments



## Dimensions

H	Total height	42	mm
H <sub>1</sub>		6	mm
N		31	mm
W	Block width	90	mm
B		72	mm
B <sub>1</sub>		9	mm
C		52	mm
L <sub>1</sub>		70	mm
L	Block length	97,4	mm
K <sub>1</sub>		14,25	mm
K <sub>2</sub>		6	mm
G		12	mm
M		M10	
T		8,5	mm
T <sub>1</sub>		16	mm
T <sub>2</sub>		10	mm
H <sub>2</sub>		6,5	mm
H <sub>3</sub>		10,8	mm
	Mass	1,09	kg

## Load ratings and torques

$C_{dyn}$	Dynamic load rating	48.500	N
$C_0$	Static load rating	71.870	N
$M_{0x}$	Static moment	660	Nm
$M_{0y}$	Static moment	700	Nm
$M_{0z}$	Static moment	700	Nm