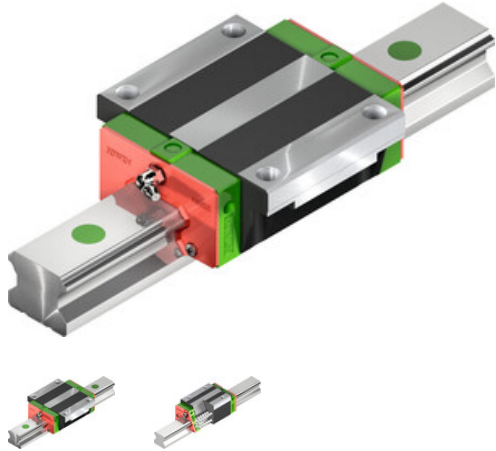


Data sheet

HGW20CCZ0C

HIWIN[®]



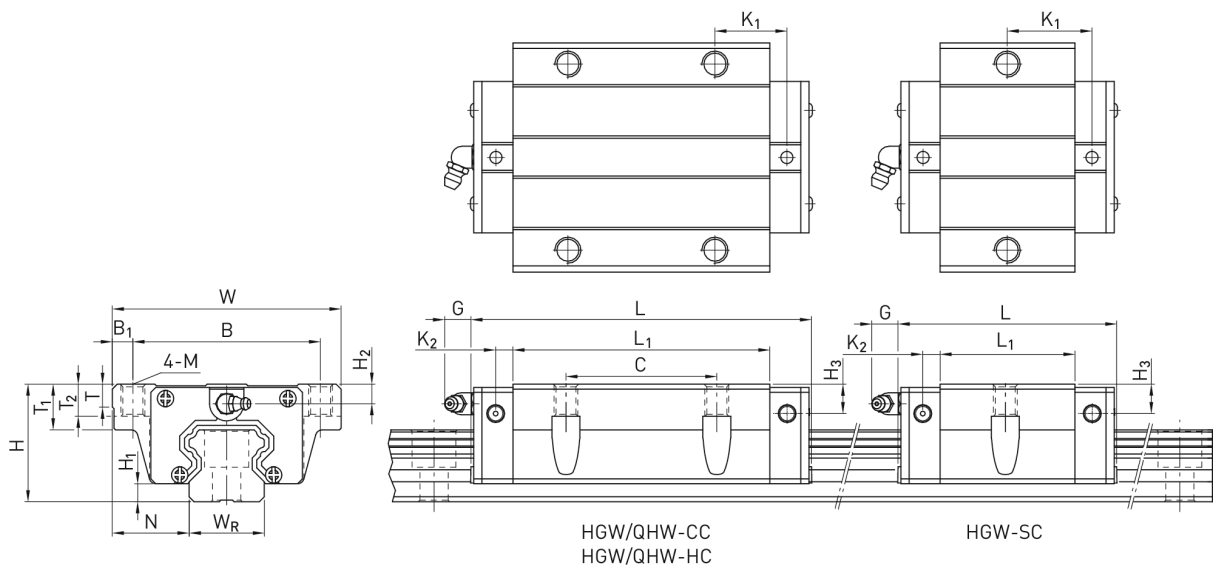
Type:
HGW20CCZ0C
Article number:
5-001113

Preload:
Z0: Light preload

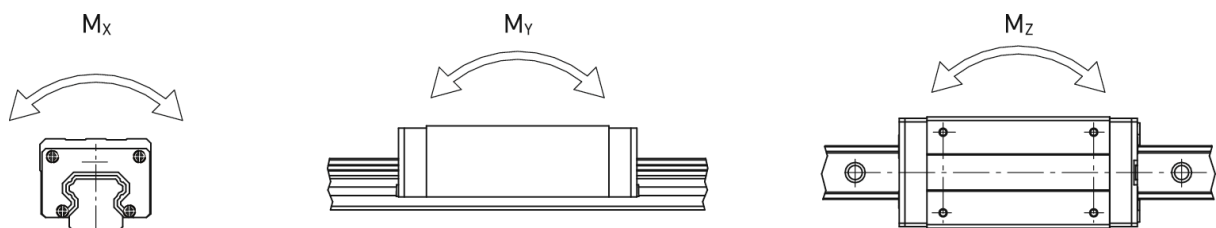
Accuracy class:
C

TECHNICAL DETAILS

Dimensions



Moments



Dimensions

| | | | |
|----------------|--------------|-------|----|
| H | Total height | 30 | mm |
| H ₁ | | 4,6 | mm |
| N | | 21,5 | mm |
| W | Block width | 63 | mm |
| B | | 53 | mm |
| B ₁ | | 5 | mm |
| C | | 40 | mm |
| L ₁ | | 50,5 | mm |
| L | Block length | 77,5 | mm |
| K ₁ | | 10,25 | mm |
| K ₂ | | 6 | mm |
| G | | 12 | mm |
| M | | M6 | |
| T | | 8 | mm |
| T ₁ | | 10 | mm |
| T ₂ | | 9,5 | mm |
| H ₂ | | 6 | mm |
| H ₃ | | 6 | mm |
| | Mass | 0,4 | kg |

Load ratings and torques

| | | | |
|-----------|---------------------|--------|----|
| C_{dyn} | Dynamic load rating | 27.100 | N |
| C_0 | Static load rating | 36.680 | N |
| M_{0x} | Static moment | 270 | Nm |
| M_{0y} | Static moment | 280 | Nm |
| M_{0z} | Static moment | 280 | Nm |