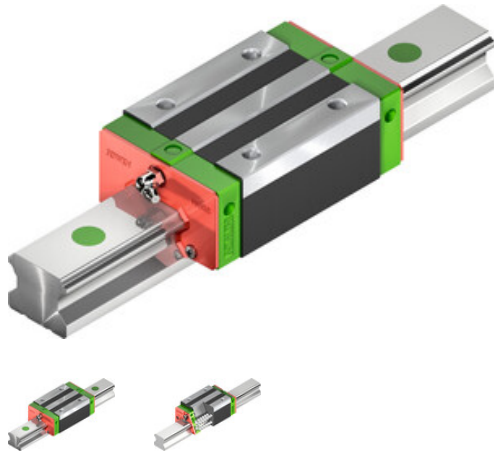


# Data sheet

HGL25CAZ0H

**HIWIN**<sup>®</sup>



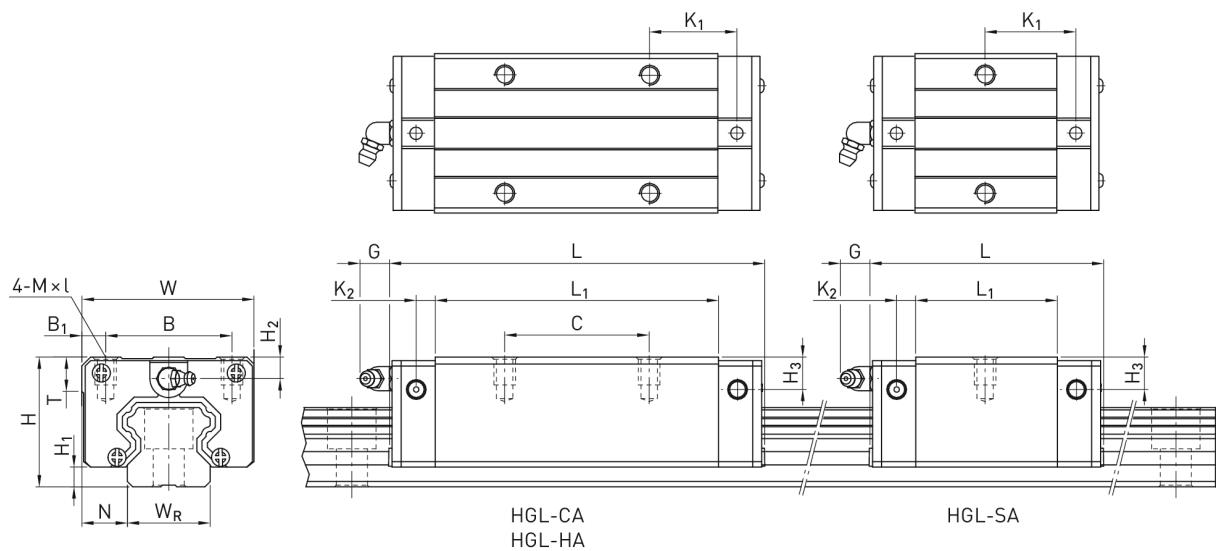
Type:  
HGL25CAZ0H  
Article number:  
5-001379

Preload:  
Z0: Light preload

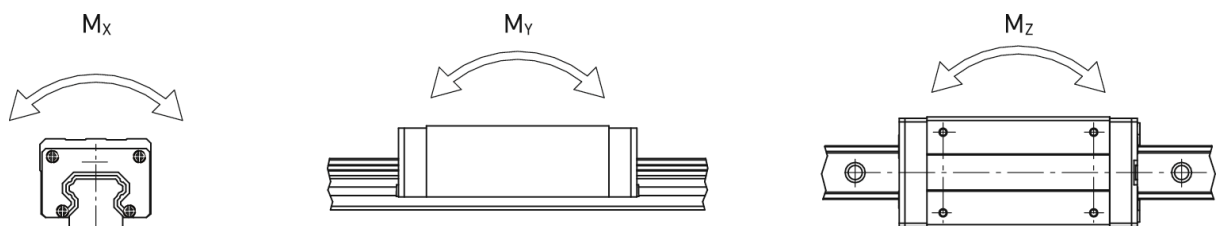
Accuracy class:  
H

## TECHNICAL DETAILS

### Dimensions



### Moments



## Dimensions

H	Total height	36	mm
H <sub>1</sub>		5,5	mm
N		12,5	mm
W	Block width	48	mm
B		35	mm
B <sub>1</sub>		6,5	mm
C		35	mm
L <sub>1</sub>		58	mm
L	Block length	84	mm
K <sub>1</sub>		15,7	mm
K <sub>2</sub>		6	mm
G		12	mm
M		M6	
l		6	mm
T		8	mm
H <sub>2</sub>		6	mm
H <sub>3</sub>		5	mm
	Mass	0,42	kg

### Load ratings and torques

$C_{dyn}$	Dynamic load rating	34.900	N
$C_0$	Static load rating	52.820	N
$M_{0x}$	Static moment	420	Nm
$M_{0y}$	Static moment	490	Nm
$M_{0z}$	Static moment	490	Nm