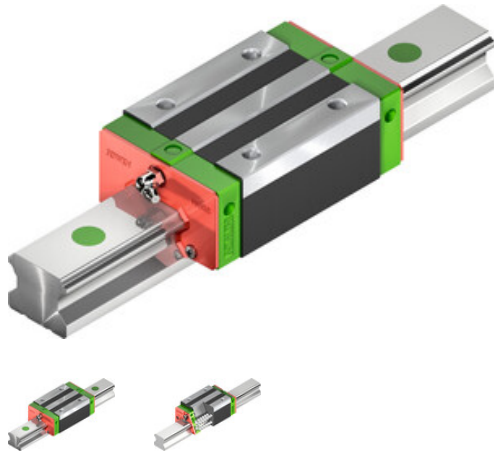


# Data sheet

HGL15CAZ0C

**HIWIN**<sup>®</sup>



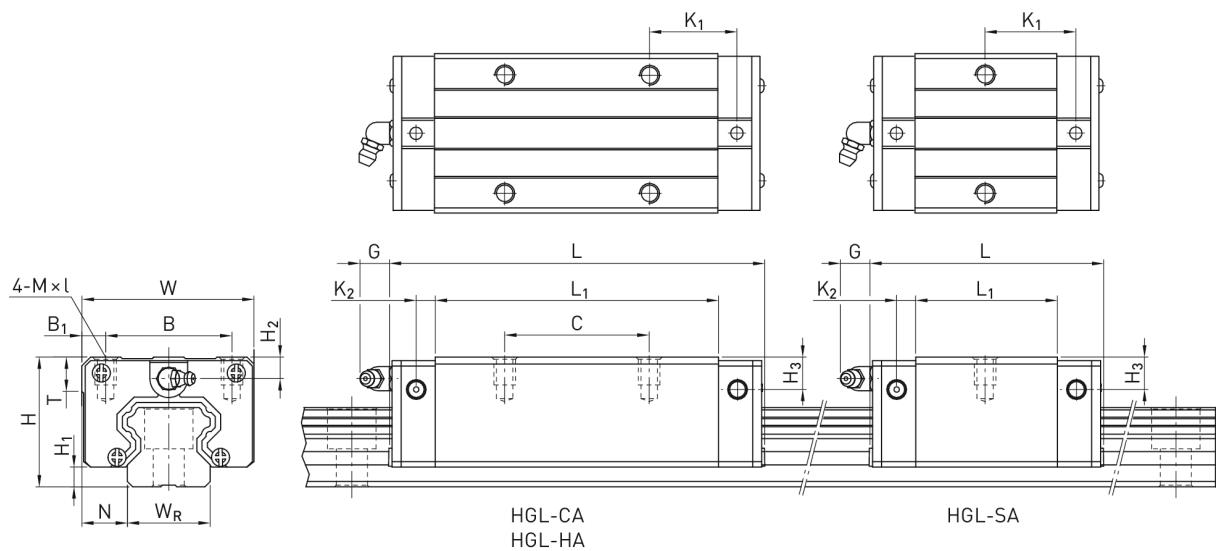
Type:  
HGL15CAZ0C  
Article number:  
5-001373

Preload:  
Z0: Light preload

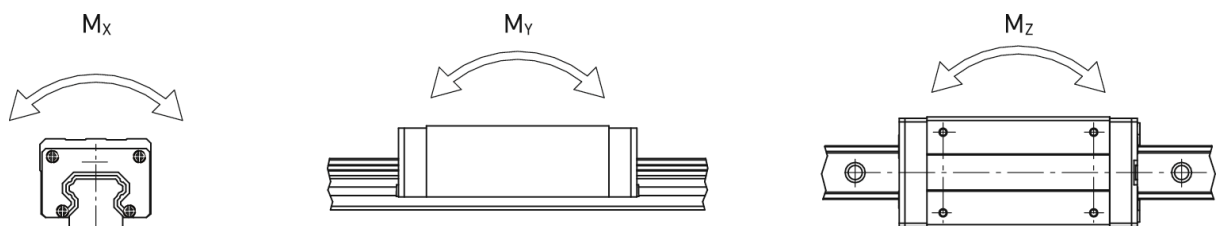
Accuracy class:  
C

## TECHNICAL DETAILS

### Dimensions



### Moments



## Dimensions

H	Total height	24	mm
H <sub>1</sub>		4,3	mm
N		9,5	mm
W	Block width	34	mm
B		26	mm
B <sub>1</sub>		4	mm
C		26	mm
L <sub>1</sub>		39,4	mm
L	Block length	61,4	mm
K <sub>1</sub>		10	mm
K <sub>2</sub>		4,85	mm
G		5,3	mm
M		M4	
l		4	mm
T		6	mm
H <sub>2</sub>		3,95	mm
H <sub>3</sub>		3,7	mm
	Mass	0,14	kg

### Load ratings and torques

$C_{dyn}$	Dynamic load rating	14.700	N
$C_0$	Static load rating	23.470	N
$M_{0x}$	Static moment	120	Nm
$M_{0y}$	Static moment	140	Nm
$M_{0z}$	Static moment	140	Nm