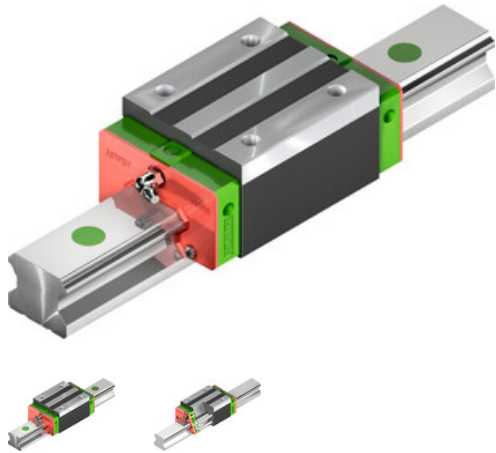


# Data sheet

HGH25CAZ0C

**HIWIN**<sup>®</sup>



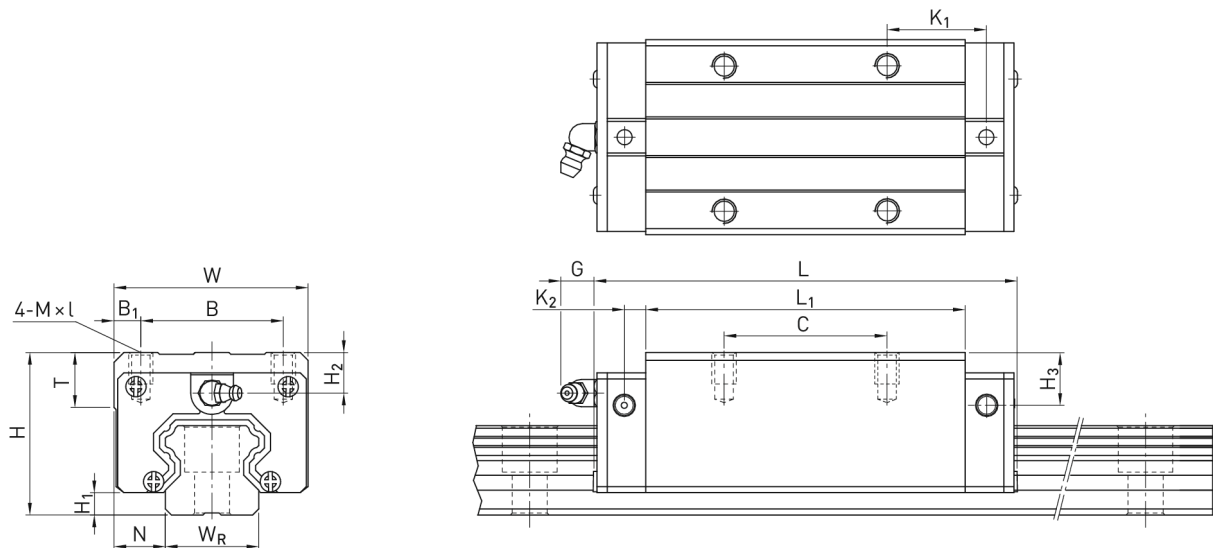
Type:  
HGH25CAZ0C  
Article number:  
5-001650

Preload:  
Z0: Light preload

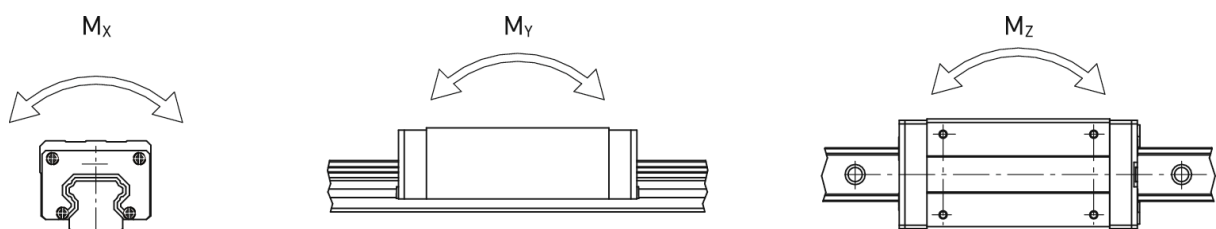
Accuracy class:  
C

## TECHNICAL DETAILS

### Dimensions



### Moments



## Dimensions

|                |              |      |    |
|----------------|--------------|------|----|
| H              | Total height | 40   | mm |
| H <sub>1</sub> |              | 5,5  | mm |
| N              |              | 12,5 | mm |
| W              | Block width  | 48   | mm |
| B              |              | 35   | mm |
| B <sub>1</sub> |              | 6,5  | mm |
| C              |              | 35   | mm |
| L <sub>1</sub> |              | 58   | mm |
| L              | Block length | 84   | mm |
| K <sub>1</sub> |              | 15,7 | mm |
| K <sub>2</sub> |              | 6    | mm |
| G              |              | 12   | mm |
| M              |              | M6   |    |
| l              |              | 8    | mm |
| T              |              | 8    | mm |
| H <sub>2</sub> |              | 10   | mm |
| H <sub>3</sub> |              | 9    | mm |
|                | Mass         | 0,51 | kg |

### Load ratings and torques

|           |                     |        |    |
|-----------|---------------------|--------|----|
| $C_{dyn}$ | Dynamic load rating | 34.900 | N  |
| $C_0$     | Static load rating  | 52.820 | N  |
| $M_{0x}$  | Static moment       | 420    | Nm |
| $M_{0y}$  | Static moment       | 490    | Nm |
| $M_{0z}$  | Static moment       | 490    | Nm |