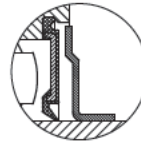
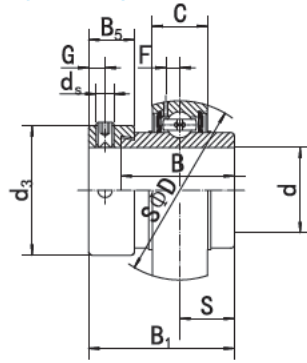


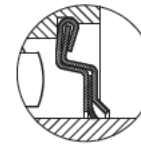
Ball Bearings
 (with eccentric locking collar)



SL Dual seal
(Standard)



L₃ Triple-lip seal
(Optional)



F seal
(Optional)

Bearing NO.	Dimensions (mm / in.)											Dynamic load ratings (N)	Static load ratings (N)	Weight (kg)													
	d	D	B ₁	B	C	S	d _s	G	B ₅	d ₃	F																
HC201 201-8	12 1/2	1.8504	43.7	34.2	17	17.1	M6x1	4.8	13.5	33.3	3.7	12800	6600	0.29 0.29													
HC202 202-9 202-10	15 9/16 5/8														1.8504	1.720	1.3465	0.6693	0.673	1/4-28UNF	0.189	0.531	1.311	0.146	12800	6600	0.27 0.26 0.26
HC203 203-11	17 11/16																										
HC204 204-12	20 3/4	1.8504	1.720	1.3465	0.6693	0.673	1/4-28UNF	0.189	0.531	1.311	0.146	12800	6600	0.21 0.21													
HC205 205-13 205-14 205-15 205-16	25 13/16 7/8 15/16 1	2.0472	1.748	1.3740	0.6693	0.689	1/4-28UNF	0.189	0.531	1.500	0.154	14000	7850	0.25 0.30 0.29 0.27 0.25													
HC206 206-17 206-18 206-19 206-20	30 1-1/16 1-1/8 1-3/16 1-1/4														2.4409	1.906	1.4370	0.7480	0.720	5/16-24UNF	0.236	0.626	1.752	0.197	19450	11250	0.37 0.42 0.39 0.37 0.34
HC207 207-20 207-21 207-22 207-23	35 1-1/4 1-5/16 1-3/8 1-7/16	2.8346	2.012	1.4803	0.7874	0.740	5/16-24UNF	0.268	0.689	2.189	0.224	25700	15200	0.58 0.65 0.61 0.58 0.56													
HC208 208-24 208-25	40 1-1/2 1-9/16														3.1496	2.217	1.6850	0.8268	0.843	5/16-24UNF	0.268	0.720	2.374	0.244	29500	18100	0.73 0.78 0.74
HC209 209-26 209-27 209-28	45 1-5/8 1-11/16 1-3/4	3.3465	2.217	1.6850	0.8661	0.843	5/16-24UNF	0.268	0.720	2.5000	0.252	32700	20900	0.78 0.89 0.84 0.80													
HC210 210-29 210-30 210-31 210-32	50 1-13/16 1-7/8 1-15/16 2														3.5433	2.469	1.9370	0.9449	0.969	5/16-24UNF	0.268	0.720	2.752	0.256	35000	23200	0.94 1.09 1.03 0.97 0.91
HC211 211-32 211-33 211-34 211-35	55 2 2-1/16 2-1/8 2-3/16	3.9370	2.811	2.1850	0.9843	1.094	3/8-24UNF	0.315	0.815	3.000	0.276	43300	29200	1.26 1.46 1.38 1.31 1.23													
HC212 212-36 212-37 212-38 212-39	60 2-1/4 2-5/16 2-3/8 2-7/16														4.3307	3.063	2.4370	1.0630	1.220	3/8-24UNF	0.315	0.878	3.315	0.299	47700	32800	1.71 1.73 1.78 1.71 1.71
HC213 213-40 213-41	65 2-1/2 2-9/16	4.7244	3.374	2.7008	1.1024	1.343	3/8-24UNF	0.335	0.925	3.386	0.335	57200	40000	2.24 1.80 2.23													
HC214 214-42 214-43 214-44	70 2-5/8 2-11/16 2-3/4														4.9213	3.374	2.7008	1.1417	1.343	3/8-24UNF	0.335	0.925	3.543	0.350	62100	44800	2.35 2.29 2.48 2.36
HC215 215-45 215-46 215-47 215-48	75 2-13/16 2-7/8 2-15/16 3	5.1181	3.626	2.9528	1.1811	1.469	3/8-24UNF	0.335	0.925	4.016	0.362	66200	49300	2.64 2.94 2.81 2.54 2.50													
HC216 216-49 216-50 216-51	80 3-1/16 3-1/8 3-3/16														5.5118	3.748	2.937	1.2598	1.4685	1/2-20UNF	0.4133	1.063	4.3307	0.374	72600	53300	3.33 3.53 3.39 3.24
HC217 217-52 217-53 217-55	85 3-1/4 3-5/16 3-7/16	5.9055	2.9055	2.0945	1.3386	0.9213	1/2-20UNF	0.4133	1.063	4.6850	0.402	83300	63700	3.54 3.73 3.61 3.36													
HC218 218-56	90 3-1/2														6.2992	2.8583	2.1654	1.4173	0.9645	1/2-20UNF	0.3543	0.9449	4.8031	0.441	96000	71100	3.86 3.95