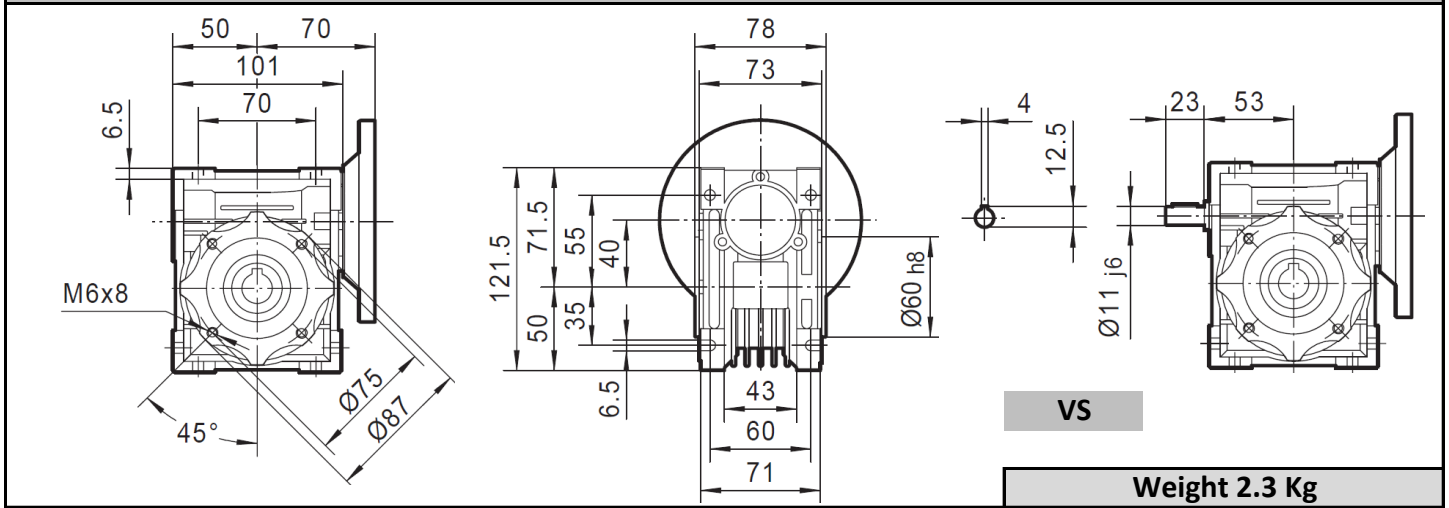
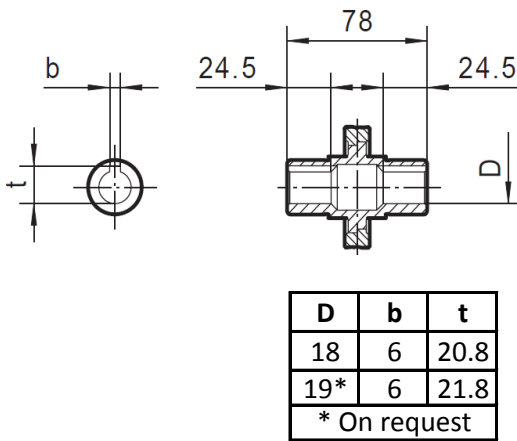


Universal Mount

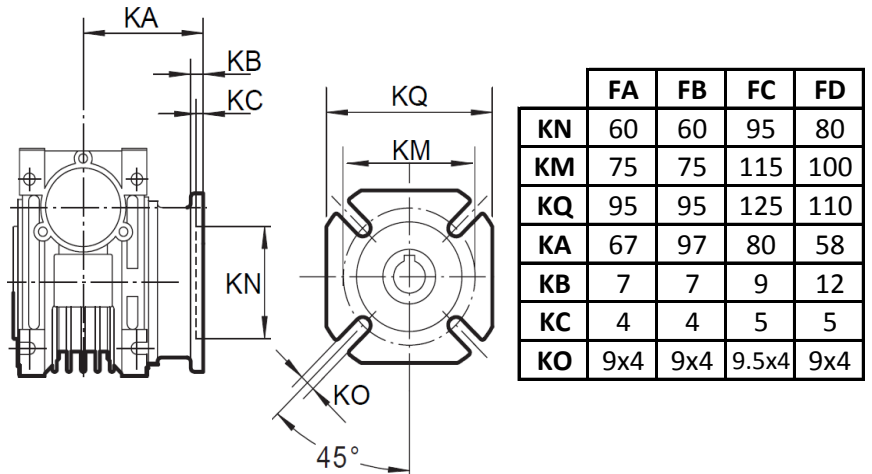


Weight 2.3 Kg

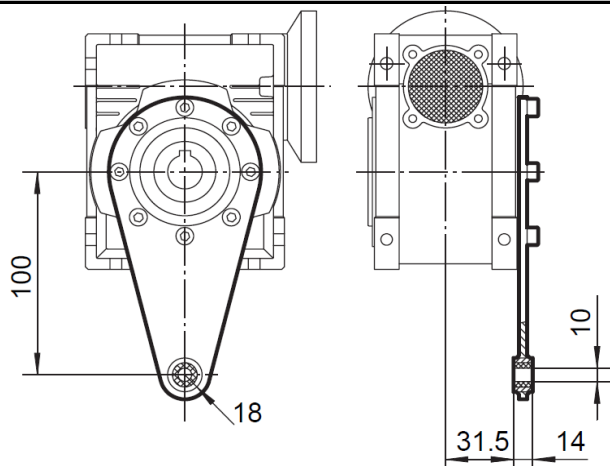
Output Bore



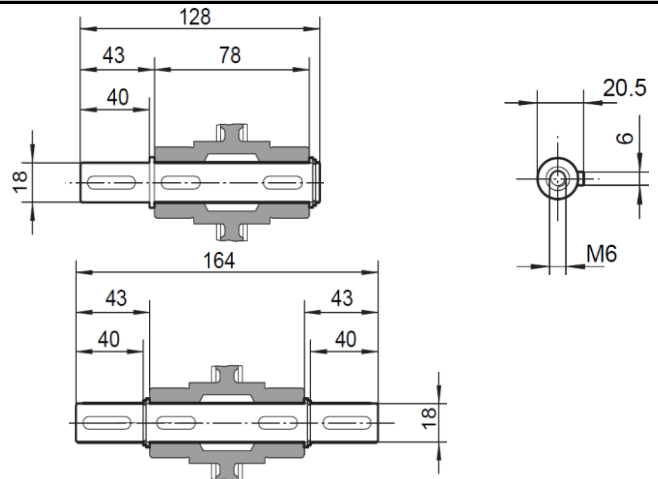
Output Flange Options



Torque Arm



Output Shaft Options



Input Motor Flange Dimensions

IEC	56B14	56B5	63B14	63B5	71B14	71B5
D	9	9	11	11	14	14
P	80	120	90	140	105	160
M	65	100	75	115	85	130
N	50	80	60	95	70	110

