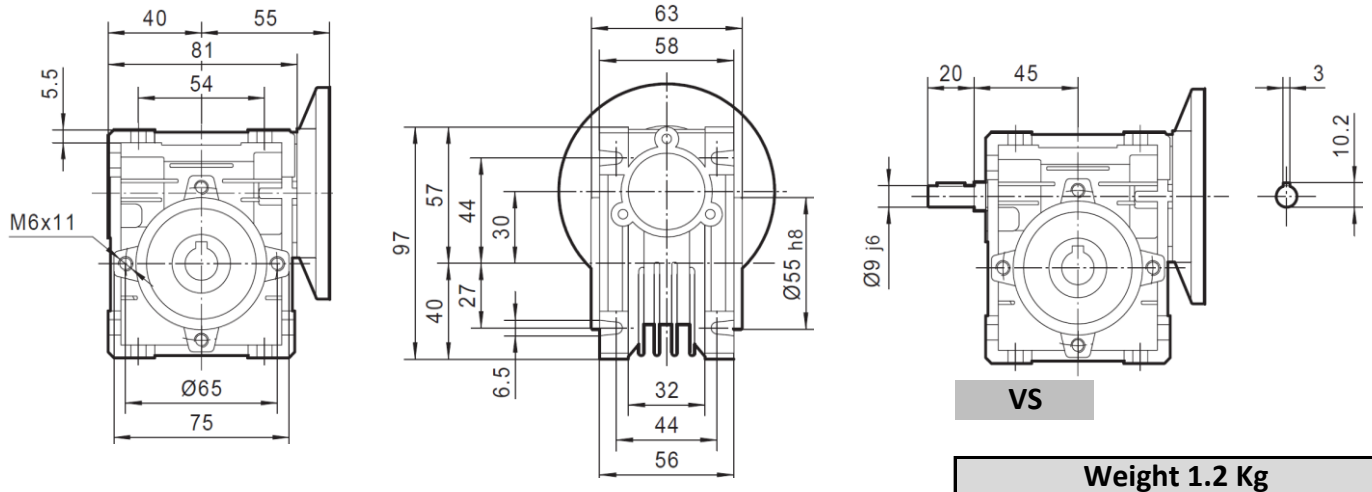


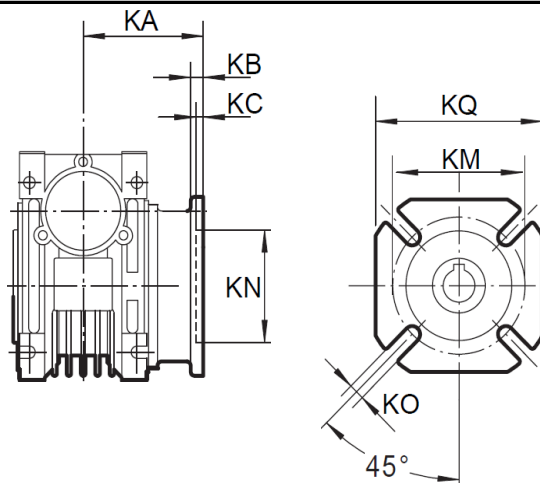
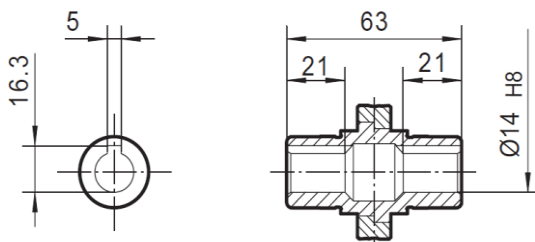
Universal Mount



Weight 1.2 Kg

Output Bore

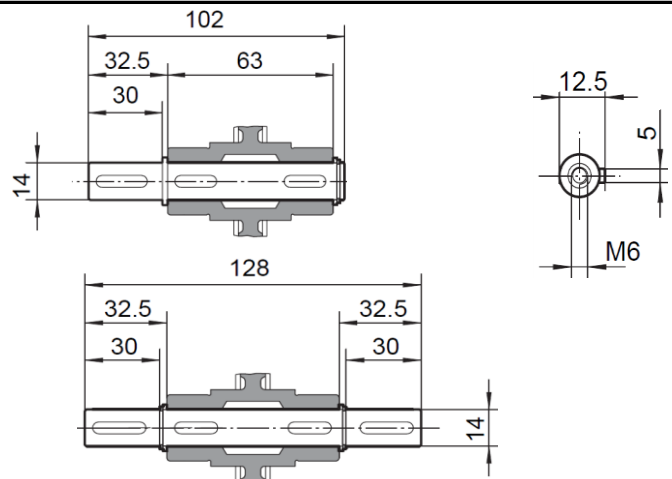
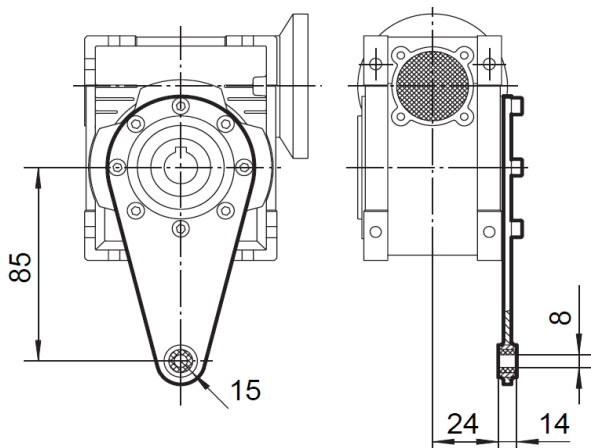
Output Flange Options



	FA
KN	50
KM	68
KQ	70
KA	54.5
KB	6
KC	4
KO	6.5x4

Torque Arm

Output Shaft Options



Input Motor Flange Dimensions

IEC	56B14	56B5	63B14	63B5
D	9	9	11	11
P	80	120	90	140
M	65	100	75	115
N	50	80	60	95

