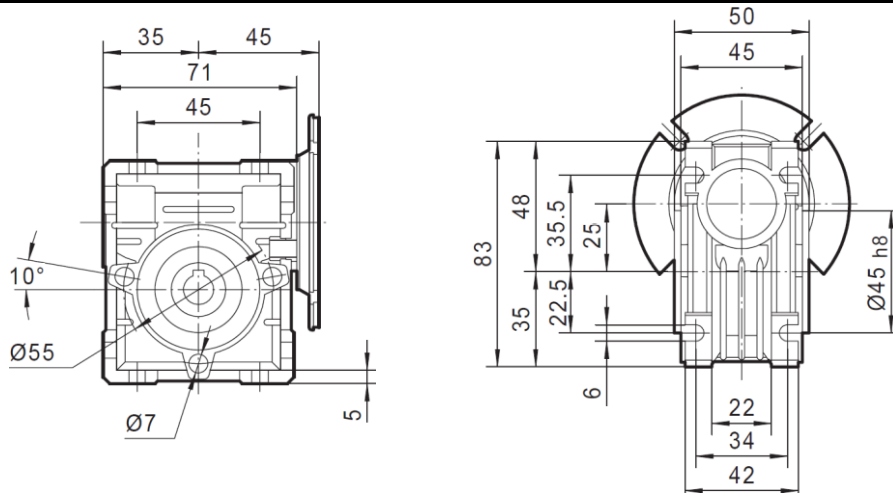
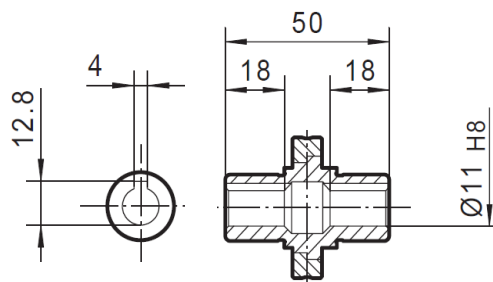


Universal Mount

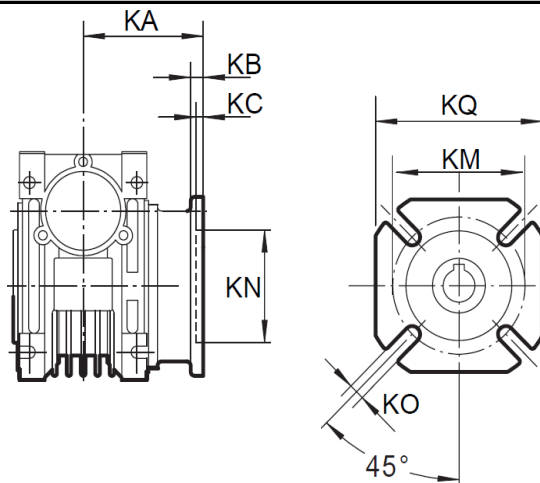


Weight 0.7 Kg

Output Bore

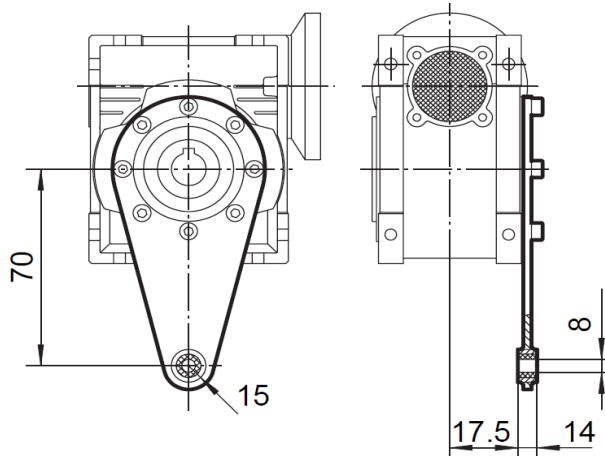


Output Flange Options

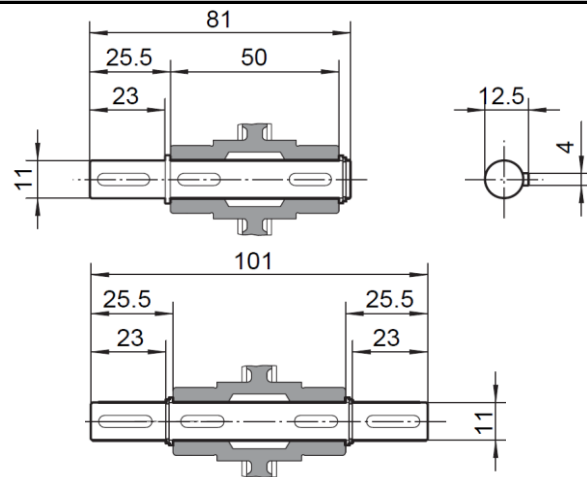


	FA
KN	40
KM	55
KQ	70
KA	45
KB	6
KC	2.5
KO	6.5x4

Torque Arm



Output Shaft Options



Input Motor Flange Dimensions

IEC	56B14
D	9
P	80
M	65
N	50

