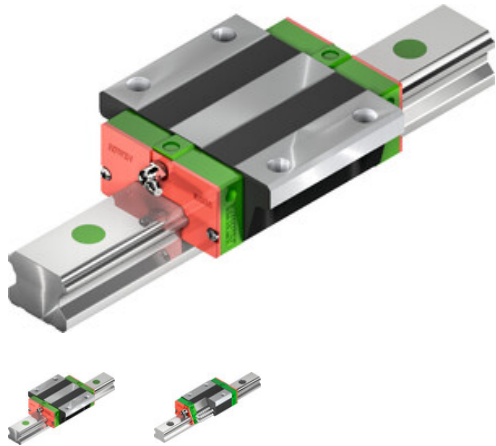


# Data sheet

EGW35CCZ0H

**HIWIN®**



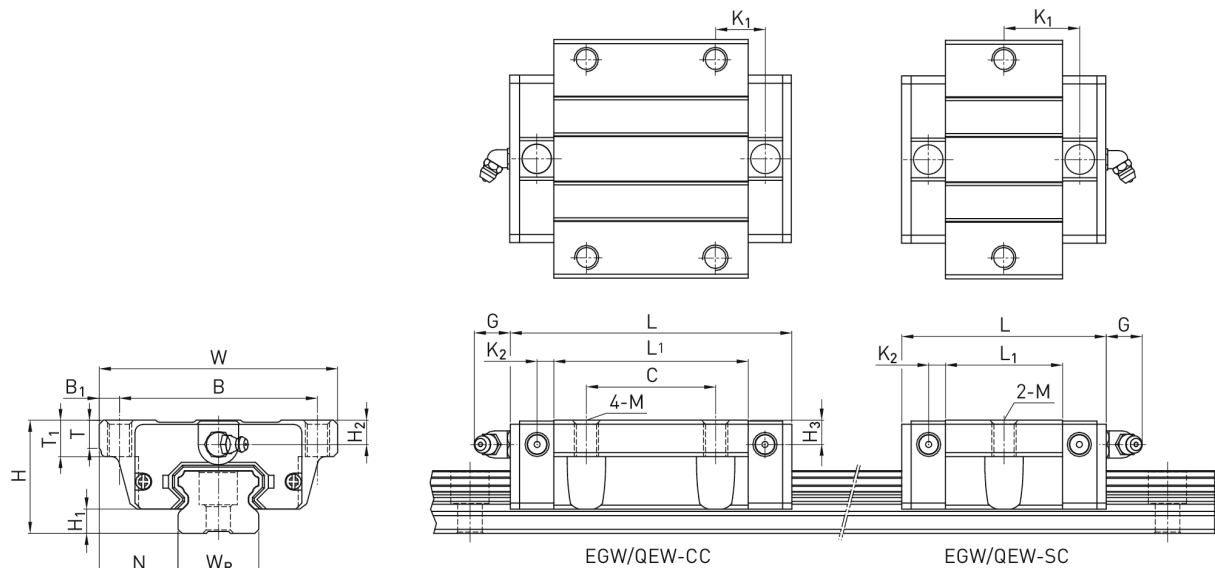
Type:  
EGW35CCZ0H  
Article number:  
5-001447

Preload:  
Z0: Light preload

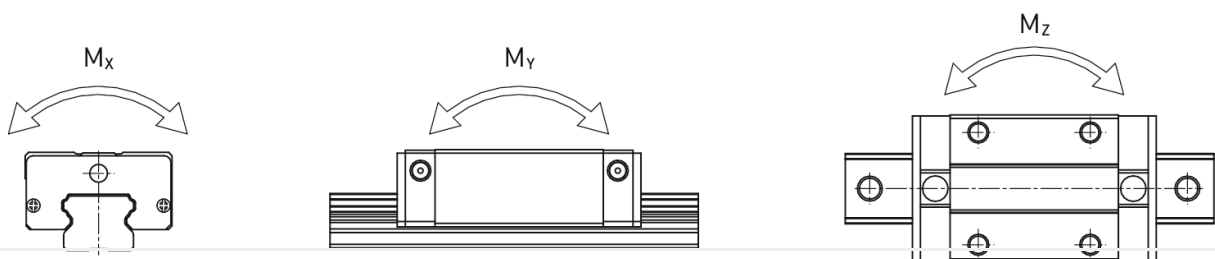
Accuracy class:  
H

## TECHNICAL DETAILS

### Dimensions



### Moments



## Dimensions

|                |              |     |    |
|----------------|--------------|-----|----|
| H              | Total height | 48  | mm |
| H <sub>1</sub> |              | 11  | mm |
| N              |              | 33  | mm |
| W              | Block width  | 100 | mm |
| B              |              | 82  | mm |
| B <sub>1</sub> |              | 9   | mm |
| C              |              | 50  | mm |
| L <sub>1</sub> |              | 78  | mm |
| L              | Block length | 108 | mm |
| K <sub>1</sub> |              | 20  | mm |
| K <sub>2</sub> |              | 7   | mm |
| G              |              | 12  | mm |
| M              |              | M10 |    |
| T              |              | 10  | mm |
| T <sub>1</sub> |              | 13  | mm |
| H <sub>2</sub> |              | 8,5 | mm |
| H <sub>3</sub> |              | 8,5 | mm |
|                | Mass         | 1,4 | kg |

## Load ratings and torques

|           |                     |        |    |
|-----------|---------------------|--------|----|
| $C_{dyn}$ | Dynamic load rating | 33.350 | N  |
| $C_0$     | Static load rating  | 64.840 | N  |
| $M_{0x}$  | Static moment       | 980    | Nm |
| $M_{0y}$  | Static moment       | 690    | Nm |
| $M_{0z}$  | Static moment       | 690    | Nm |