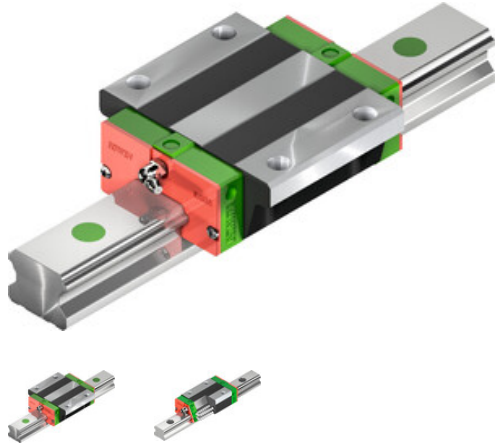


EGW35CCZ0C

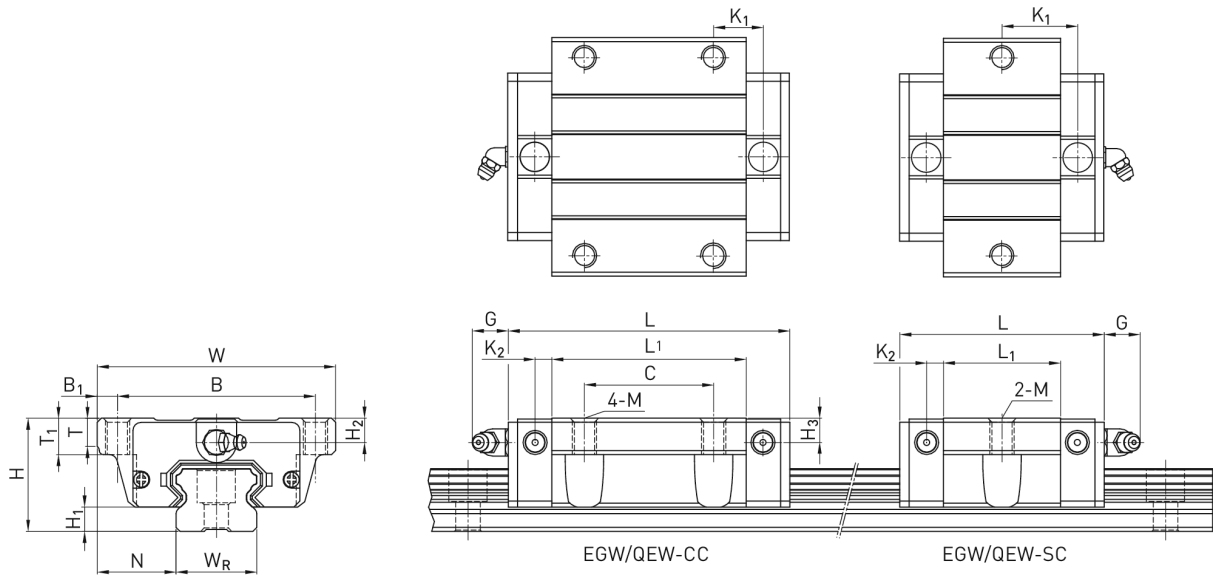


Type:
EGW35CCZ0C

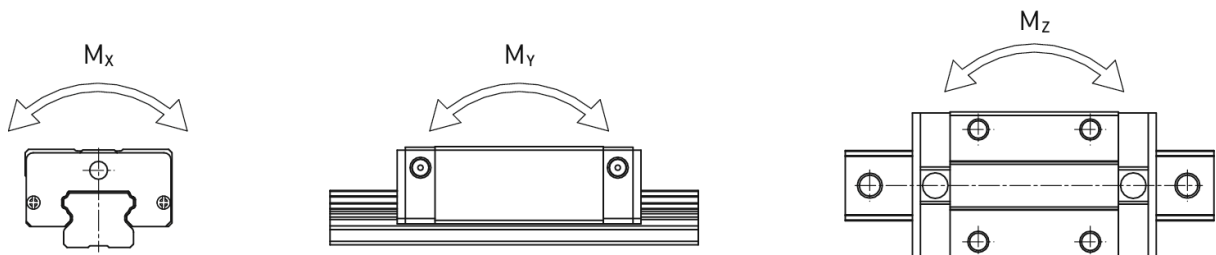
Preload:
Z0: Light preload

Accuracy class:
C

Dimensions



Moments



Dimensions

| | | | |
|----------------|--------------|-----|----|
| H | Total height | 48 | mm |
| H ₁ | | 11 | mm |
| N | | 33 | mm |
| W | Block width | 100 | mm |
| B | | 82 | mm |
| B ₁ | | 9 | mm |
| C | | 50 | mm |
| L ₁ | | 78 | mm |
| L | Block length | 108 | mm |
| K ₁ | | 20 | mm |
| K ₂ | | 7 | mm |
| G | | 12 | mm |
| M | | M10 | |
| T | | 10 | mm |
| T ₁ | | 13 | mm |
| H ₂ | | 8,5 | mm |
| H ₃ | | 8,5 | mm |
| | Mass | 1,4 | kg |

Load ratings and torques

| | | | |
|-----------|---------------------|--------|----|
| C_{dyn} | Dynamic load rating | 33.350 | N |
| C_0 | Static load rating | 64.840 | N |
| M_{0x} | Static moment | 980 | Nm |
| M_{0y} | Static moment | 690 | Nm |
| M_{0z} | Static moment | 690 | Nm |