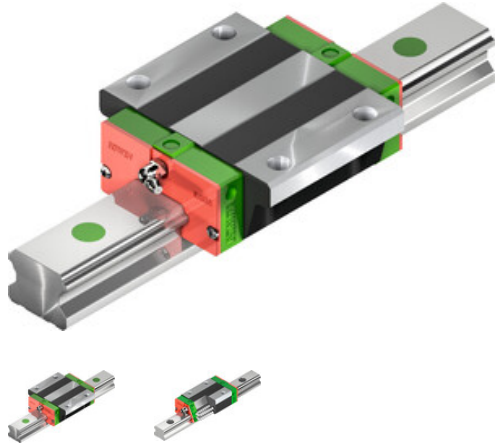


EGW30CCZ0C

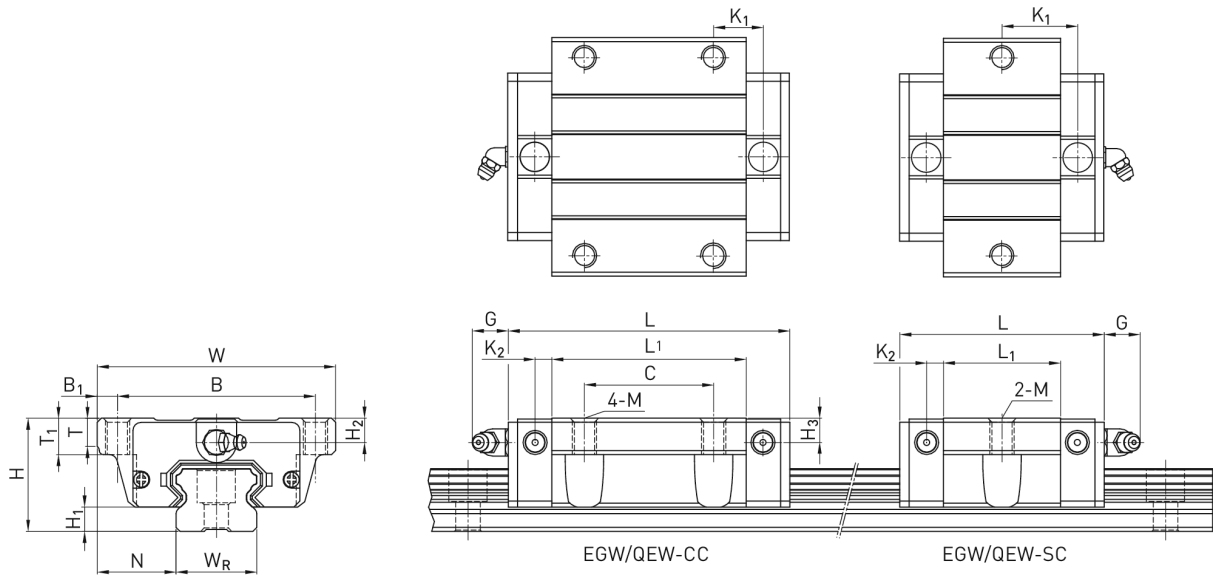


Type:
EGW30CCZ0C

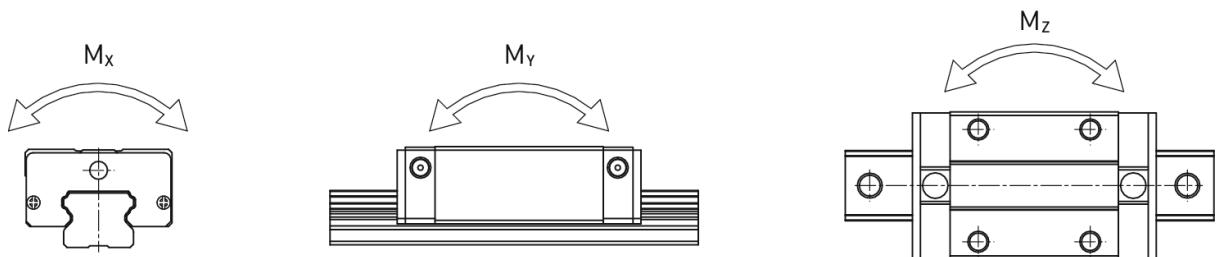
Preload:
Z0: Light preload

Accuracy class:
C

Dimensions



Moments



Dimensions

H	Total height	42	mm
H ₁		10	mm
N		31	mm
W	Block width	90	mm
B		72	mm
B ₁		9	mm
C		40	mm
L ₁		70,1	mm
L	Block length	98,1	mm
K ₁		21,05	mm
K ₂		6	mm
G		12	mm
M		M10	
T		7	mm
T ₁		10	mm
H ₂		8	mm
H ₃		9	mm
	Mass	1,04	kg

Load ratings and torques

C_{dyn}	Dynamic load rating	23.700	N
C_0	Static load rating	47.460	N
M_{0x}	Static moment	680	Nm
M_{0y}	Static moment	550	Nm
M_{0z}	Static moment	550	Nm