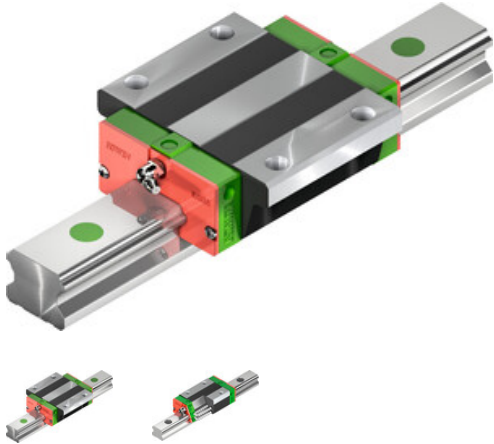


EGW25CCZ0C

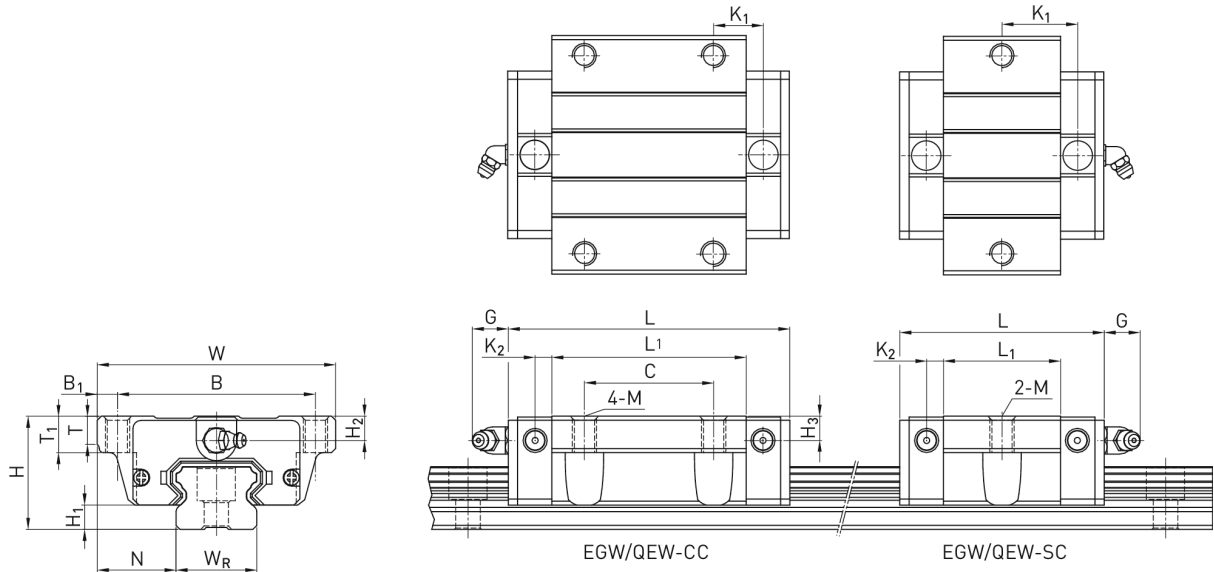


Type:
EGW25CCZ0C

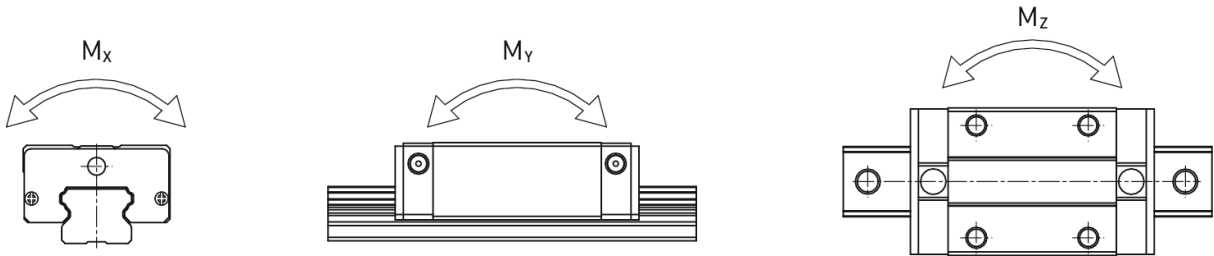
Preload:
Z0: Light preload

Accuracy class:
C

Dimensions



Moments



Dimensions

H	Total height	33	mm
H ₁		7	mm
N		25	mm
W	Block width	73	mm
B		60	mm
B ₁		6,5	mm
C		35	mm
L ₁		59	mm
L	Block length	82,6	mm
K ₁		16,15	mm
K ₂		4,55	mm
G		12	mm
M		M8	
T		7,5	mm
T ₁		10	mm
H ₂		8	mm
H ₃		8	mm
	Mass	0,59	kg

Load ratings and torques

C_{dyn}	Dynamic load rating	16.270	N
C_0	Static load rating	32.400	N
M_{0x}	Static moment	380	Nm
M_{0y}	Static moment	320	Nm
M_{0z}	Static moment	320	Nm