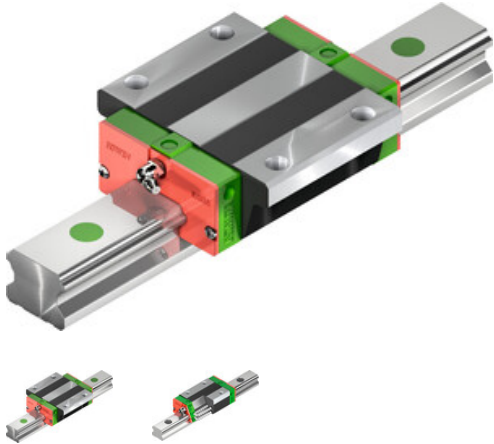


EGW20CCZ0C

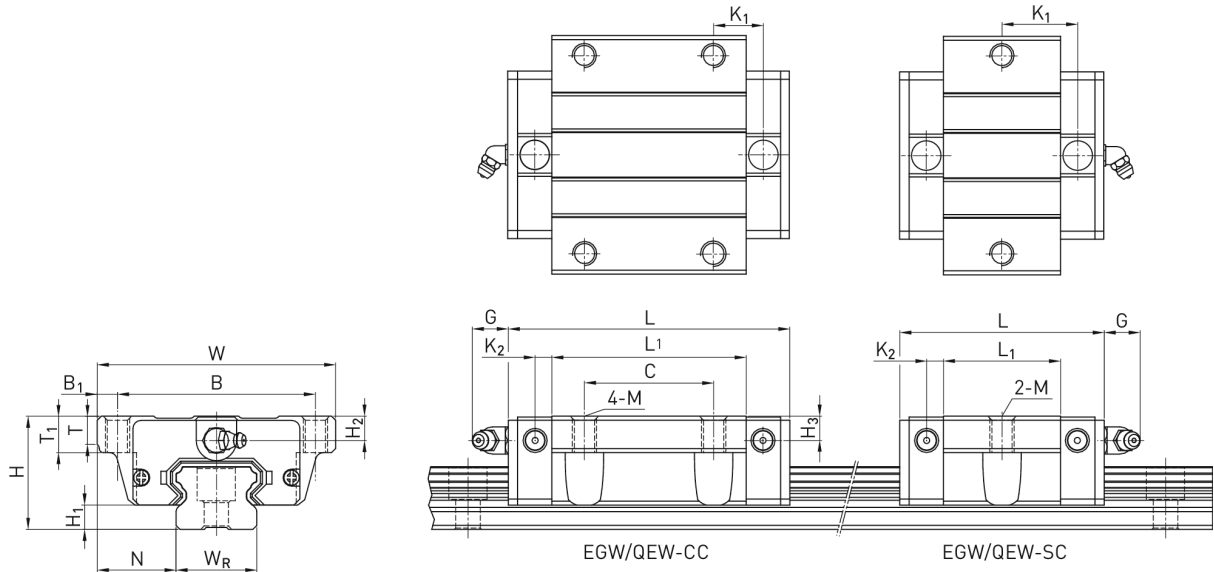


Type:
EGW20CCZ0C

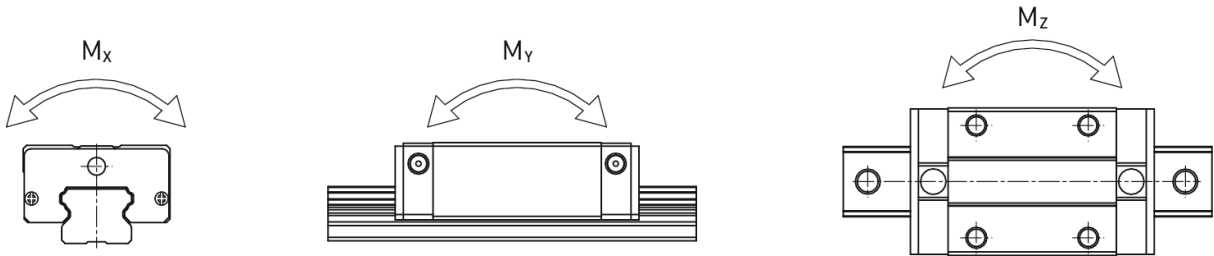
Preload:
Z0: Light preload

Accuracy class:
C

Dimensions



Moments



Dimensions

H	Total height	28	mm
H ₁		6	mm
N		19,5	mm
W	Block width	59	mm
B		49	mm
B ₁		5	mm
C		32	mm
L ₁		48,1	mm
L	Block length	69,1	mm
K ₁		12,3	mm
K ₂		4,15	mm
G		12	mm
M		M6	
T		7	mm
T ₁		9	mm
H ₂		6	mm
H ₃		6	mm
	Mass	0,32	kg

Load ratings and torques

C_{dyn}	Dynamic load rating	10.310	N
C_0	Static load rating	21.130	N
M_{0x}	Static moment	220	Nm
M_{0y}	Static moment	160	Nm
M_{0z}	Static moment	160	Nm