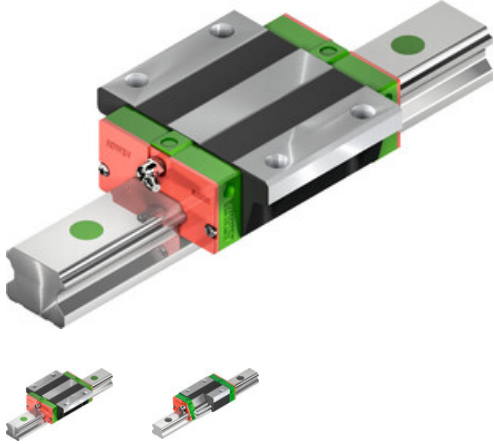


EGW15CCZ0C

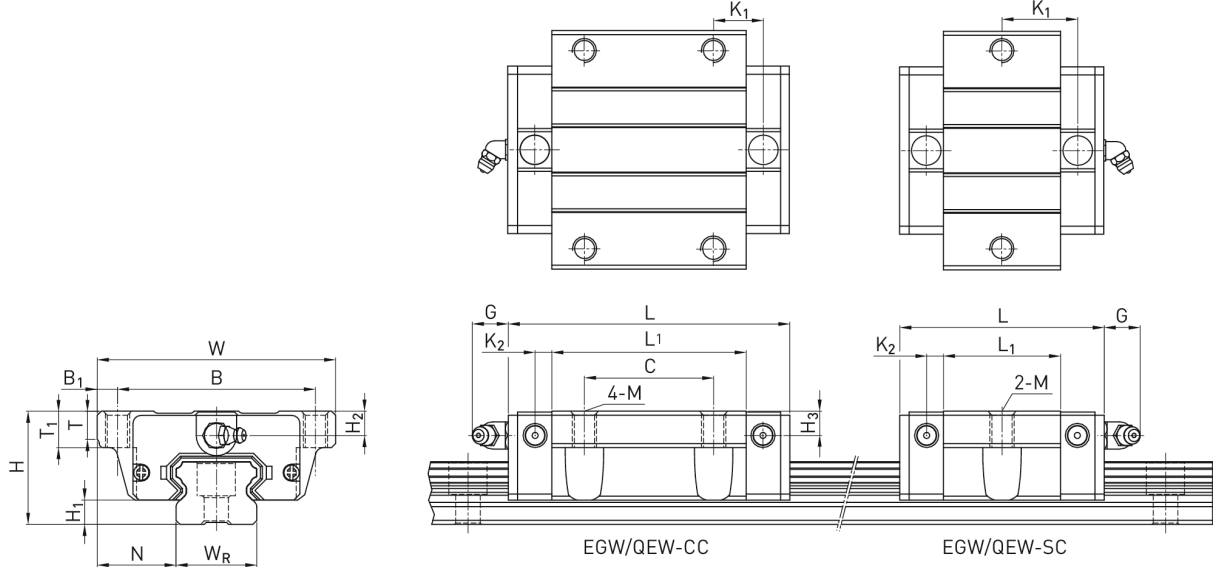


Type:
EGW15CCZ0C

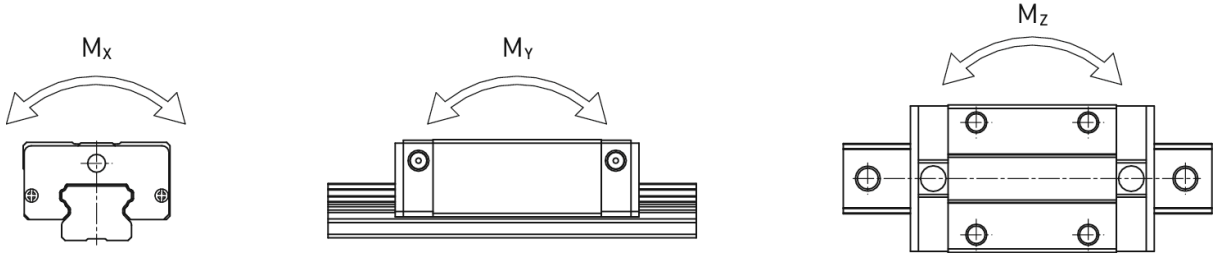
Preload:
Z0: Light preload

Accuracy class:
C

Dimensions



Moments



Dimensions

H	Total height	24	mm
H ₁		4,5	mm
N		18,5	mm
W	Block width	52	mm
B		41	mm
B ₁		5,5	mm
C		26	mm
L ₁		39,8	mm
L	Block length	56,8	mm
K ₁		10,15	mm
K ₂		3,5	mm
G		5,7	mm
M		M5	
T		5	mm
T ₁		7	mm
H ₂		5,5	mm
H ₃		6	mm
	Mass	0,21	kg

Load ratings and torques

C_{dyn}	Dynamic load rating	7.830	N
C_0	Static load rating	16.190	N
M_{0x}	Static moment	130	Nm
M_{0y}	Static moment	100	Nm
M_{0z}	Static moment	100	Nm