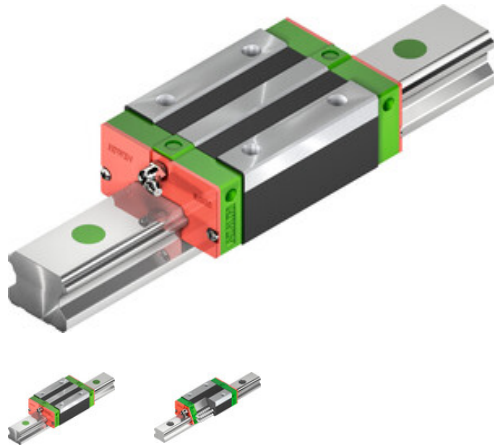


# Data sheet

EGH35CAZ0H

**HIWIN**<sup>®</sup>



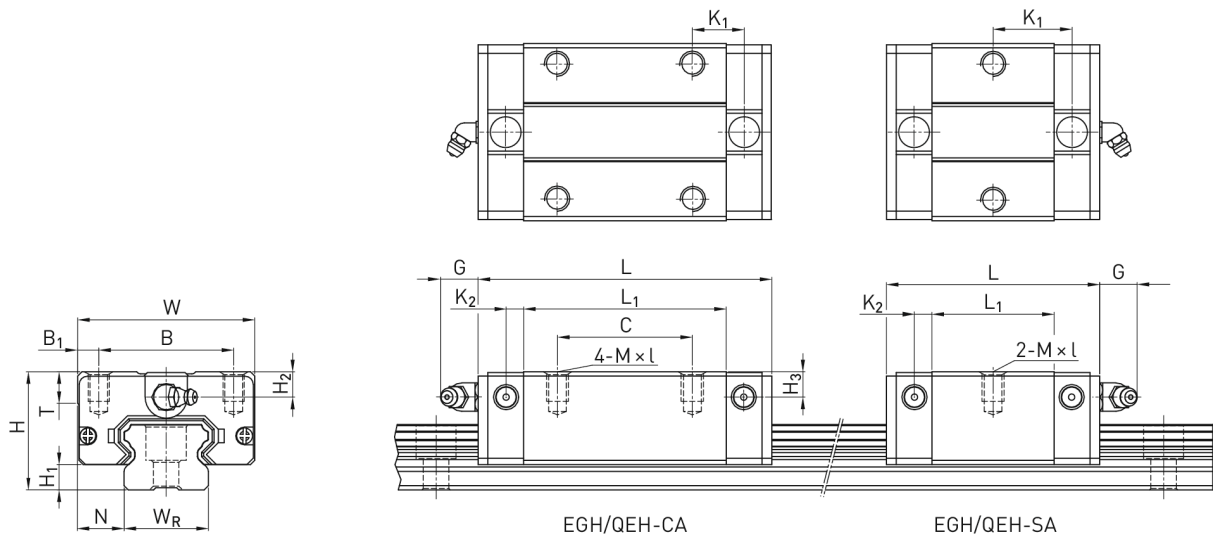
Type:  
EGH35CAZ0H  
Article number:  
5-001497

Preload:  
Z0: Light preload

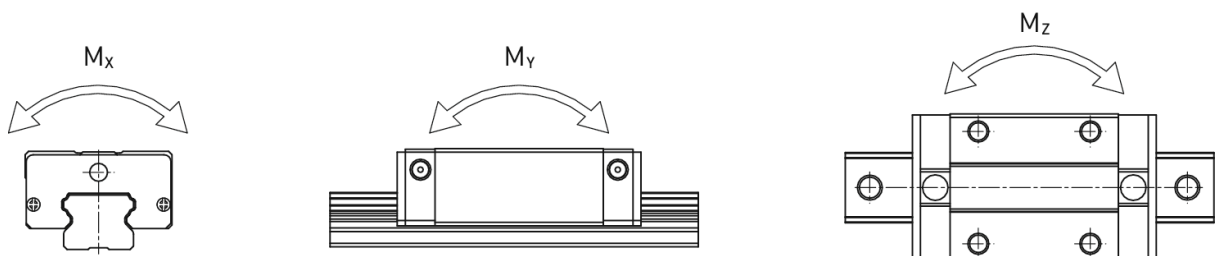
Accuracy class:  
H

## TECHNICAL DETAILS

### Dimensions



### Moments



## Dimensions

H	Total height	48	mm
H <sub>1</sub>		11	mm
N		18	mm
W	Block width	70	mm
B		50	mm
B <sub>1</sub>		10	mm
C		50	mm
L <sub>1</sub>		78	mm
L	Block length	108	mm
K <sub>1</sub>		20	mm
K <sub>2</sub>		7	mm
G		12	mm
M		M8	
l		12	mm
T		10	mm
H <sub>2</sub>		8,5	mm
H <sub>3</sub>		8,5	mm
	Mass	1,1	kg

### Load ratings and torques

$C_{dyn}$	Dynamic load rating	33.350	N
$C_0$	Static load rating	64.840	N
$M_{0x}$	Static moment	980	Nm
$M_{0y}$	Static moment	690	Nm
$M_{0z}$	Static moment	690	Nm