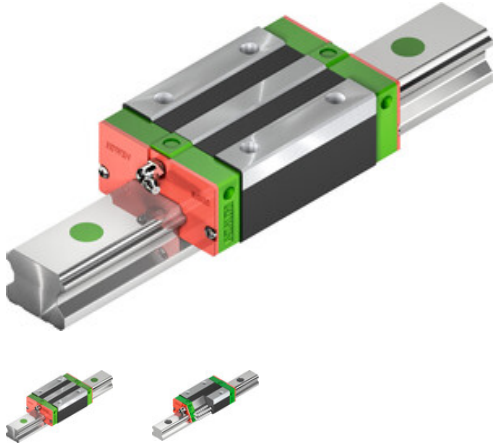


EGH35CAZ0C

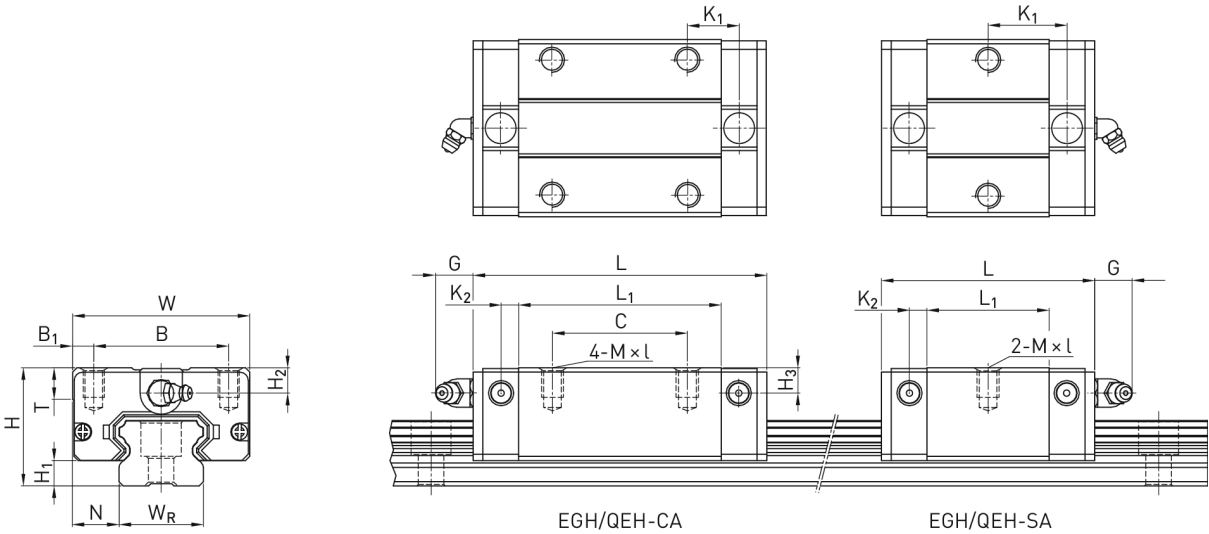


Type:
EGH35CAZ0C

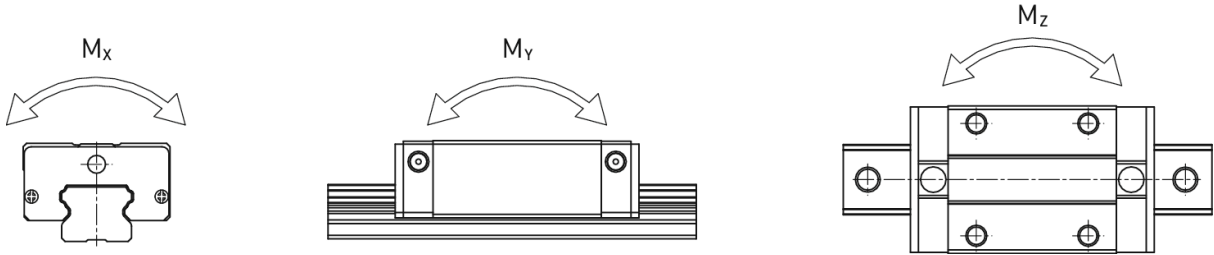
Preload:
Z0: Light preload

Accuracy class:
C

Dimensions



Moments



Dimensions

H	Total height	48	mm
H ₁		11	mm
N		18	mm
W	Block width	70	mm
B		50	mm
B ₁		10	mm
C		50	mm
L ₁		78	mm
L	Block length	108	mm
K ₁		20	mm
K ₂		7	mm
G		12	mm
M		M8	
l		12	mm
T		10	mm
H ₂		8,5	mm
H ₃		8,5	mm
	Mass	1,1	kg

Load ratings and torques

C_{dyn}	Dynamic load rating	33.350	N
C_0	Static load rating	64.840	N
M_{0x}	Static moment	980	Nm
M_{0y}	Static moment	690	Nm
M_{0z}	Static moment	690	Nm