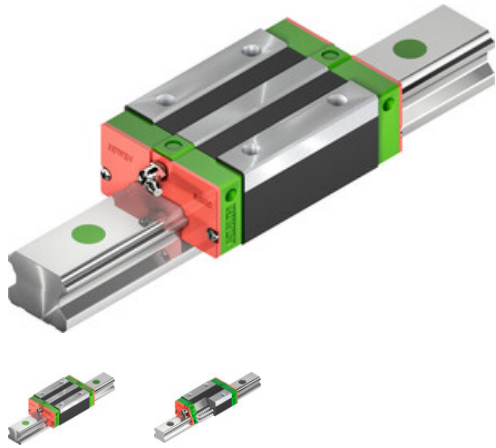


EGH30CAZ0C

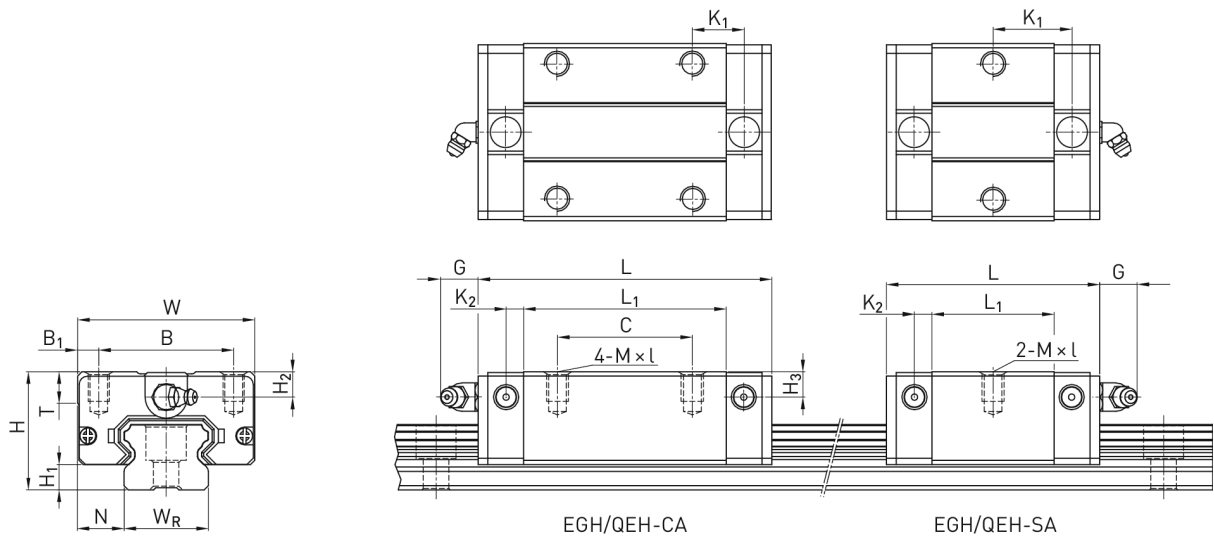


Type:  
EGH30CAZ0C

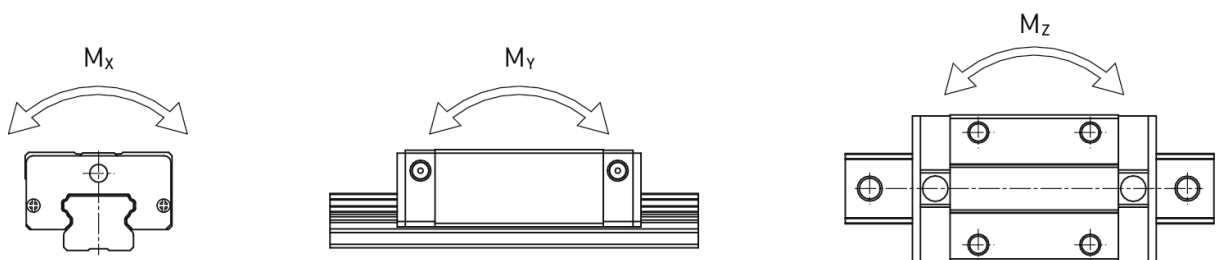
Preload:  
Z0: Light preload

Accuracy class:  
C

## Dimensions



## Moments



## Dimensions

H	Total height	42	mm
H <sub>1</sub>		10	mm
N		16	mm
W	Block width	60	mm
B		40	mm
B <sub>1</sub>		10	mm
C		40	mm
L <sub>1</sub>		70,1	mm
L	Block length	98,1	mm
K <sub>1</sub>		21,05	mm
K <sub>2</sub>		6	mm
G		12	mm
M		M8	
l		12	mm
T		9	mm
H <sub>2</sub>		8	mm
H <sub>3</sub>		9	mm
	Mass	0,76	kg

### Load ratings and torques

$C_{dyn}$	Dynamic load rating	23.700	N
$C_0$	Static load rating	47.460	N
$M_{0x}$	Static moment	680	Nm
$M_{0y}$	Static moment	550	Nm
$M_{0z}$	Static moment	550	Nm