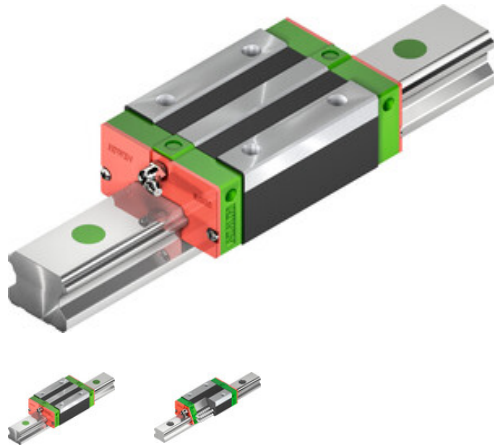


Data sheet

EGH25CAZ0H

HIWIN®



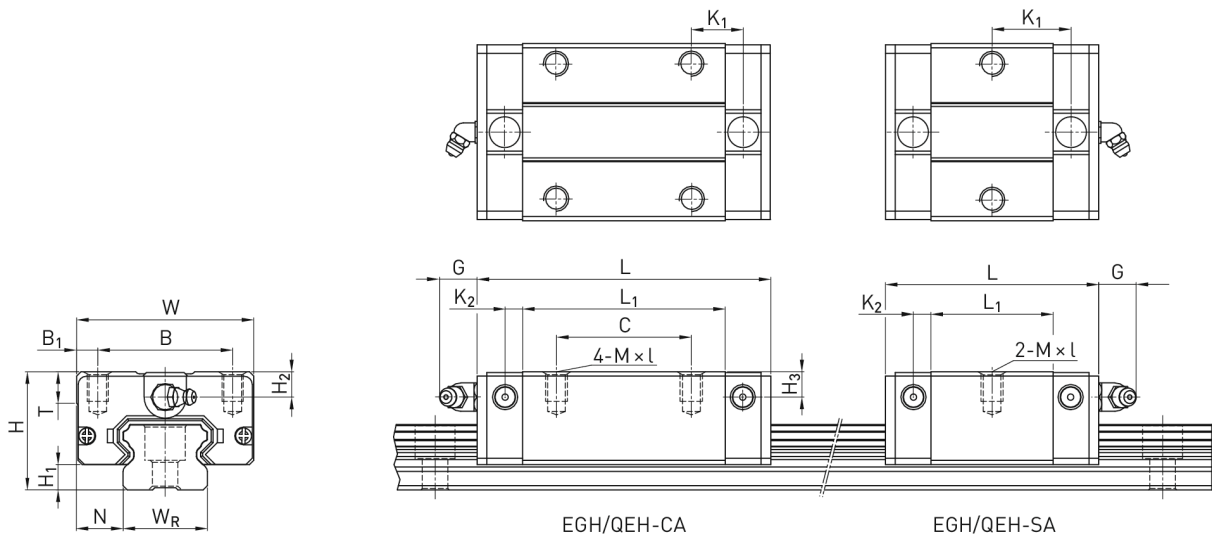
Type:
EGH25CAZ0H
Article number:
5-001480

Preload:
Z0: Light preload

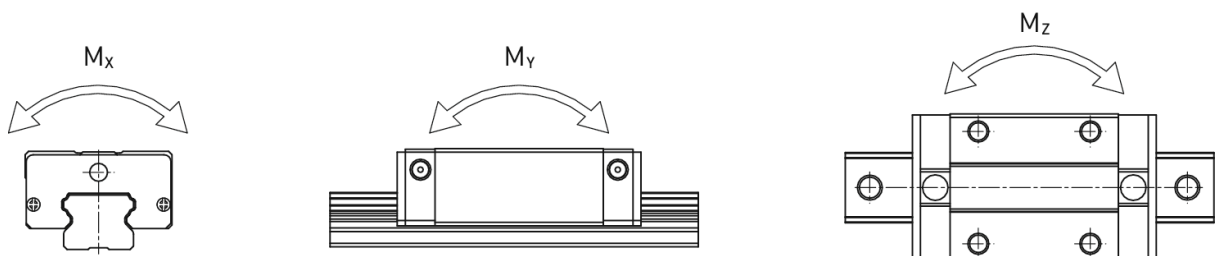
Accuracy class:
H

TECHNICAL DETAILS

Dimensions



Moments



Dimensions

H	Total height	33	mm
H ₁		7	mm
N		12,5	mm
W	Block width	48	mm
B		35	mm
B ₁		6,5	mm
C		35	mm
L ₁		59	mm
L	Block length	82,6	mm
K ₁		16,15	mm
K ₂		4,55	mm
G		12	mm
M		M6	
l		9	mm
T		8	mm
H ₂		8	mm
H ₃		8	mm
	Mass	0,41	kg

Load ratings and torques

C_{dyn}	Dynamic load rating	16.270	N
C_0	Static load rating	32.400	N
M_{0x}	Static moment	380	Nm
M_{0y}	Static moment	320	Nm
M_{0z}	Static moment	320	Nm