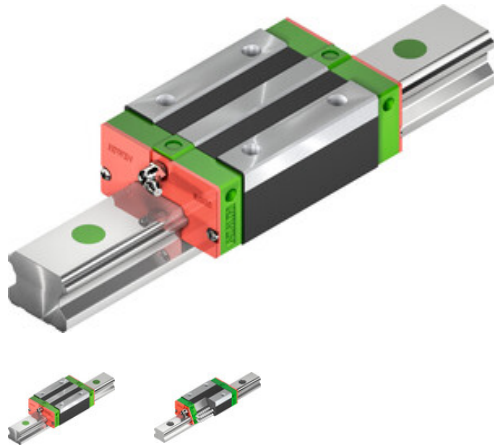


Data sheet

EGH15CAZ0H

HIWIN®



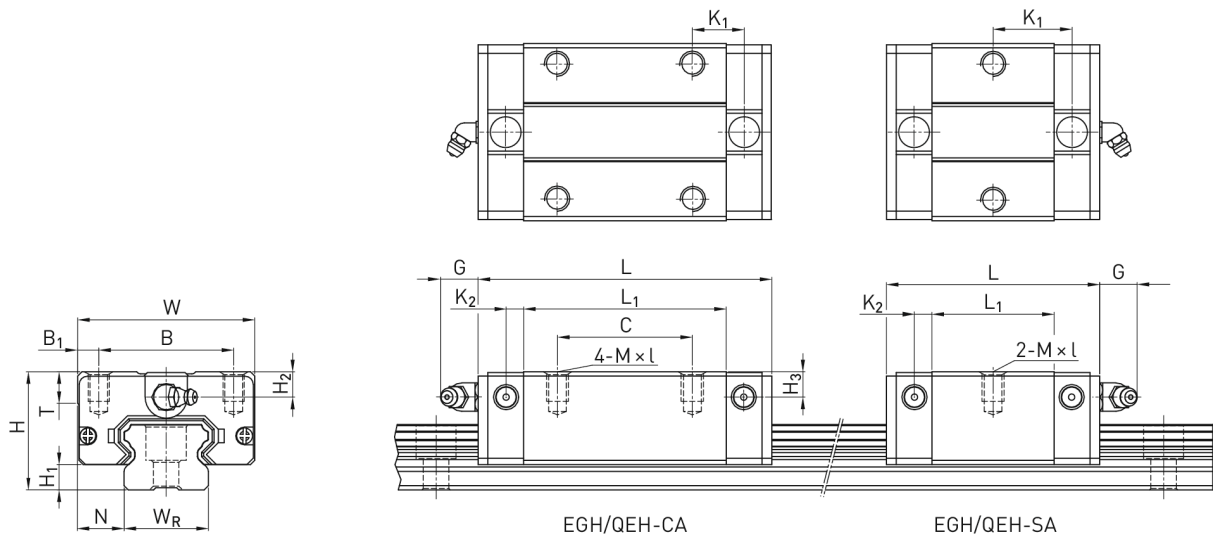
Type:
EGH15CAZ0H
Article number:
5-001454

Preload:
Z0: Light preload

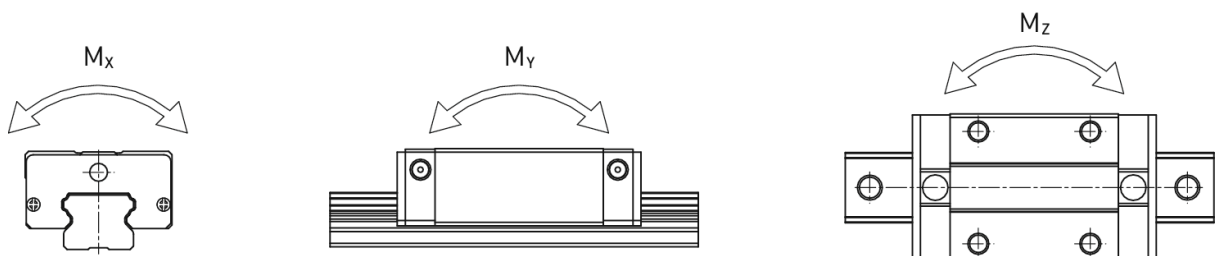
Accuracy class:
H

TECHNICAL DETAILS

Dimensions



Moments



Dimensions

H	Total height	24	mm
H ₁		4,5	mm
N		9,5	mm
W	Block width	34	mm
B		26	mm
B ₁		4	mm
C		26	mm
L ₁		39,8	mm
L	Block length	56,8	mm
K ₁		10,15	mm
K ₂		3,5	mm
G		5,7	mm
M		M4	
l		6	mm
T		6	mm
H ₂		5,5	mm
H ₃		6	mm
	Mass	0,15	kg

Load ratings and torques

C_{dyn}	Dynamic load rating	7.830	N
C_0	Static load rating	16.190	N
M_{0X}	Static moment	130	Nm
M_{0Y}	Static moment	100	Nm
M_{0Z}	Static moment	100	Nm