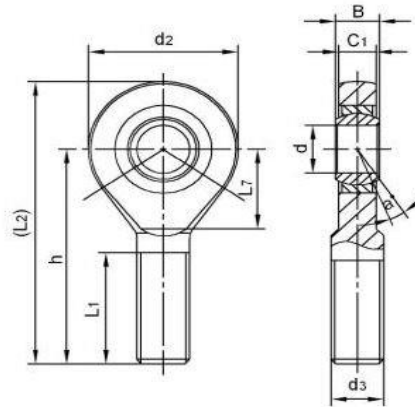


EA SERIES STEEL/STEEL MAINTENANCE REQUIRED MALE ROD ENDS



Bearing No.	Dimensions(mm)									Ball Diameter	a° angle	Load ratings (KN)		Weight (kg)
	d	B	C1	d2	d3-6G	h	L1	L2	L7			Dynamic	Static	
EA6	6	6	4.5	21	M6	36	16	46.5	12	10	13	3.4	6.9	0.017
EA8	8	8	6.5	24	M8	42	21	54	13	13	15	5.5	12.9	0.029
EA10	10	9	7.5	29	M10	48	26	62.5	16	16	12	8.1	17.6	0.044
EA12	12	10	8.5	34	M12	54	28	71	18	18	10	10	24.5	0.066
EA15	15	12	10.5	40	M14	63	34	83	22	22	8	16	36	0.121
EA17	17	14	11.5	46	M16	69	36	92	24	25	10	21	45	0.172
EA20	20	16	13.5	53	M 20x1.5	78	43	104.5	27	29	9	30	60	0.283
EA25	25	20	18	64	M24x2	94	53	126	33	35.5	7	48	83	0.504
EA30	30	22	20	73	M30x2	110	65	146.5	37.5	40.7	6	62	110	0.835
EA35-2RS	35	25	22	82	M36x3	140	82	181	41	47	6	79	146	1.410
EA40-2RS	40	28	24	92	M39x3	150	86	196	47	53	7	99	180	1.860
EA45-2RS	45	32	28	102	M42x3	163	92	214	52	60	7	127	240	2.570
EA50-2RS	50	35	31	112	M45x3	185	104	241	60	66	6	156	290	3.580
EA60-2RS	60	44	39	135	M52x3	210	115	277.5	75.5	80	6	245	450	5.730

Right Hand Thread as standard

Left Hand Thread also available, prefix becomes EAL, ie EAL8, EAL30ES-2RS

Bearing: 100Cr6 Bearing Steel, Hardened and Phosphated,
sliding surface treated with MoS2

Body: Carbon Steel, Zinc plated

Contact surfaces: Steel/Steel - Lubrication required