



MOBILE DISPENSING TANK 55LTR WITH OIL ROTARY PUMP - RED

MODEL NO: **DT55RCOMBO1**

Thank you for purchasing a Sealey product. Manufactured to a high standard, this product will, if used according to these instructions, and properly maintained, give you years of trouble free performance.

IMPORTANT: PLEASE READ THESE INSTRUCTIONS CAREFULLY. NOTE THE SAFE OPERATIONAL REQUIREMENTS, WARNINGS & CAUTIONS. USE THE PRODUCT CORRECTLY AND WITH CARE FOR THE PURPOSE FOR WHICH IT IS INTENDED. FAILURE TO DO SO MAY CAUSE DAMAGE AND/OR PERSONAL INJURY AND WILL INVALIDATE THE WARRANTY. KEEP THESE INSTRUCTIONS SAFE FOR FUTURE USE.



Refer to instructions



Wear eye protection



Wear protective gloves

1. SAFETY

- WARNING!** Ensure all Health and Safety, local authority and general workshop practice regulations are strictly adhered to when using this equipment.
- ✓ Familiarise yourself with the applications, limitations and potential hazards of this product.
- ✓ Maintain the pump in good condition (use an authorised service agent).
- ✓ Replace or repair damaged parts. Use genuine parts only. Unauthorised parts will invalidate the warranty.
- ✓ Use only with oils, anti-freeze, degreasers and other NON-corrosive fluids.
- ✓ Ensure safety eye protection and protective clothing are worn when using this product.
- ✓ Keep the work area clean and uncluttered and ensure that there is adequate lighting.
- ✓ Maintain correct balance and footing. Ensure the floor is not slippery and wear non-slip shoes.
- ✓ Keep children and unauthorised persons away from the work area.
- ✓ Dispose of waste liquids in accordance with local authority regulations.
- ✗ **DO NOT** use the pump to transfer hazardous or harmful chemicals, solvents, petrol or acids.
- ✗ **DO NOT** use the pump with water.
- ✗ **DO NOT** use the pump for any purpose other than for which it is designed.
- ✗ **DO NOT** attempt to move the fluid drum by pulling on the pump.
- ✓ Keep the pump clean and well oiled and store in a safe, dry location when not in use.

2. INTRODUCTION

Manufactured from hard wearing and durable polyethylene. 55ltr Capacity suitable for the distribution of Diesel, Oil, AdBlue®, Water and Antifreeze. Model No. DT55RCOMBO1 (Red) is supplied with Model No. TP55 Oil Rotary Pump, fitted with two roller wheels, hose holder and vent caps. Features a 2" BSP thread and four point screw fittings enabling other pumps to be fitted as required.

3. ASSEMBLY

- 3.1. The bottom of the suction tube is designed to sit on the bottom of the tank without obstructing the flow into the tube.
- 3.2. Pass drum adaptor over the threaded end of the suction tube. Slacken the drum adaptor by twisting the top ring (fig.2) until it slides freely on the tube. Screw into the top of the drum (fig.4) and tighten the top ring (fig.3).
- 3.3. Attach the bracket the top set of nuts moulded into the plastic. **DO NOT** fully tighten the screws just yet (fig.4).
- 3.4. Attach the other half of the bracket capturing the suction tube (fig.6), tighten the screws.
- 3.5. Screw the pump body onto the suction tube, it is advised that you hold the tube while screwing the pump onto it.
- 3.6. Attach the handle and secure it by screwing the bolt onto the flat (fig.5).

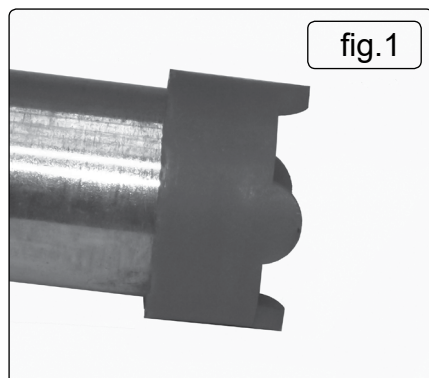


fig.1



fig.4

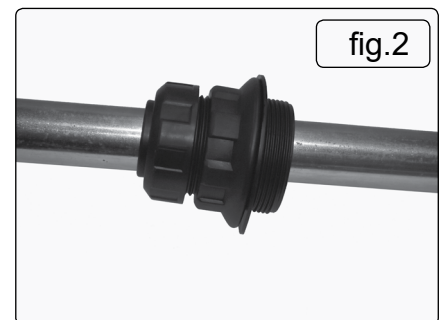


fig.2

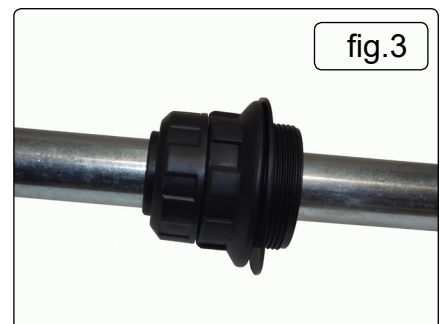
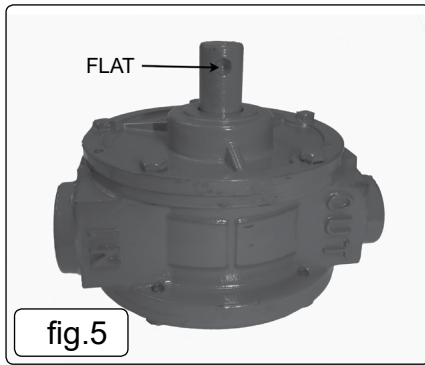


fig.3



4. MAINTENANCE

- 6.2. Check the tightness of all fittings regularly and tighten if necessary.
- 6.3. Keep the pump unit clean to highlight any leaks which may develop in service.

5. TROUBLESHOOTING

| PROBLEM | PROBLEM POSSIBLE CAUSE | SOLUTION |
|-----------------------------|--|--|
| Low or no flow rate. | Low level in source tank. | Refill the tank. |
| | Air entering the pump or suction tube. | Check seals and connections. |
| Leakage from the body pump. | Seal damaged. | Contact your authorised Sealey stockist. |

Parts support is available for this product. To obtain parts, please log on to www.sealey.co.uk, email sales@sealey.co.uk or telephone 01284 757500



ENVIRONMENT PROTECTION

Recycle unwanted materials instead of disposing of them as waste. All tools, accessories and packaging should be sorted, taken to a recycling centre and disposed of in a manner which is compatible with the environment. When the product becomes completely unserviceable and requires disposal, drain any fluids (if applicable) into approved containers and dispose of the product and fluids according to local regulations.

Note: It is our policy to continually improve products and as such we reserve the right to alter data, specifications and component parts without prior notice.

Important: No Liability is accepted for incorrect use of this product.

Warranty: Guarantee is 12 months from purchase date, proof of which is required for any claim.

Sealey Group, Kempson Way, Suffolk Business Park, Bury St Edmunds, Suffolk. IP32 7AR



01284 757500



01284 703534



sales@sealey.co.uk



www.sealey.co.uk