



INSTRUCTIONS FOR  
**PLATFORM TRUCK 450KG CAPACITY**  
MODEL NO: **CST806**

Thank you for purchasing a Sealey product. Manufactured to a high standard, this product will, if used according to these instructions, and properly maintained, give you years of trouble free performance.

**IMPORTANT:** PLEASE READ THESE INSTRUCTIONS CAREFULLY. NOTE THE SAFE OPERATIONAL REQUIREMENTS, WARNINGS & CAUTIONS. USE THE PRODUCT CORRECTLY AND WITH CARE FOR THE PURPOSE FOR WHICH IT IS INTENDED. FAILURE TO DO SO MAY CAUSE DAMAGE AND/OR PERSONAL INJURY AND WILL INVALIDATE THE WARRANTY. KEEP THESE INSTRUCTIONS SAFE FOR FUTURE USE.



Refer to  
instruction  
manual

## 1. SAFETY

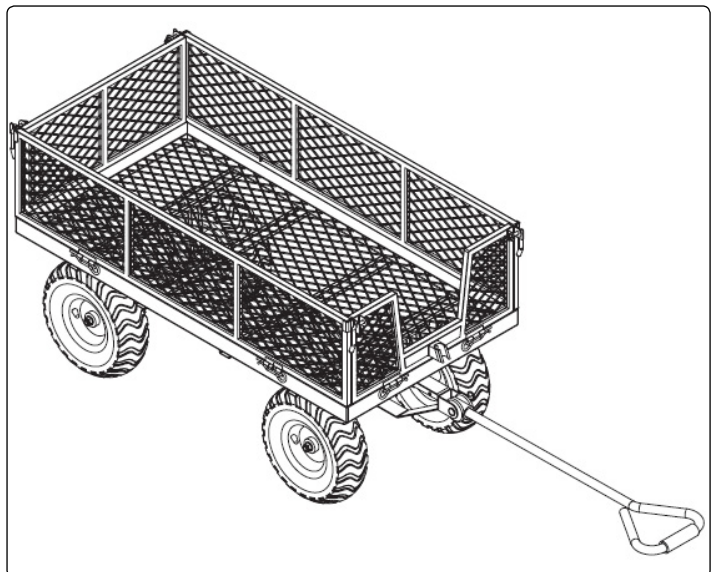
- ✓ Always distribute the load evenly over the surface of the bed of the platform truck.
- ✗ **DO NOT** leave unattended, especially when loaded, unless the wheels are chocked or the truck is otherwise secured.
- ✗ **DO NOT** use platform truck on uneven ground and do not run over kerbs or steps - use a ramp.
- ✗ **DO NOT** allow others to ride on the platform truck.
- ✗ **DO NOT** use the truck if any part is damaged, paying particular attention to the wheels. Inspect it before use each time and replace or repair damaged or worn parts immediately.
- ✓ Check tyre pressures on the platform truck on a regular basis.
- ✗ **DO NOT** over inflate the tyres. Recommended pressure is 25psi.
- ✗ **DO NOT** exceed maximum load capacity of 450kg.
- ✗ **DO NOT** allow children to play on, stand upon or climb on the cart.
- ✓ Be mindful of the location of the handle it may fall from the upright position.
- ✓ Chock the wheels when loading and unloading the cart.
- ✓ **ALWAYS** use caution when operating the platform truck. When moving it, proceed at a safe speed, especially at corners where there could be a danger of the load shifting. Extra care should be taken on inclined surfaces.
- ✗ **DO NOT** use the platform truck when you are tired or under the influence of alcohol, drugs or intoxicating medication.
- ✗ **DO NOT** store material on the platform truck for an extended period of time.

## 2. INTRODUCTION

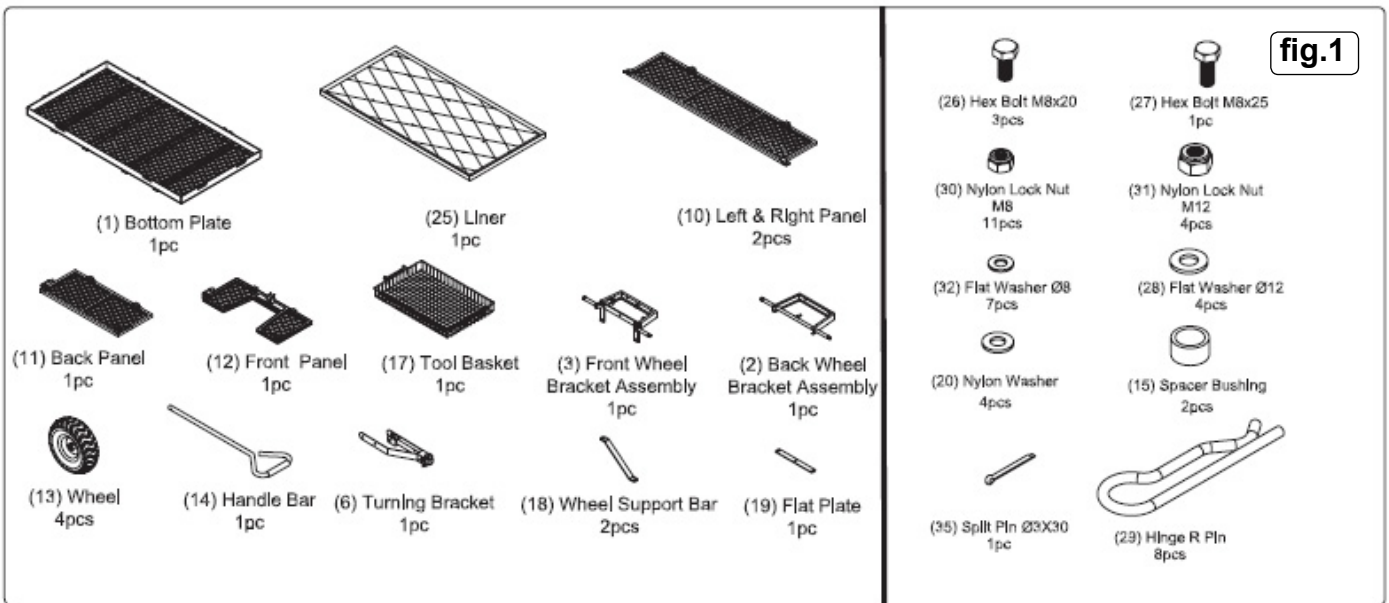
Heavy-duty rust resistant steel construction. Smooth steering action for easy manoeuvrability with soft rubber gripped handle and pneumatic wheels for easy transportation over the toughest terrain. All four sides drop down using locking pin function for easy loading. Can also be used as a flat bed for transporting oversized items. Fitted with additional removable storage tray for carrying smaller items. Suitable for a variety of warehouse, office, garden and domestic applications.

## 3. SPECIFICATION

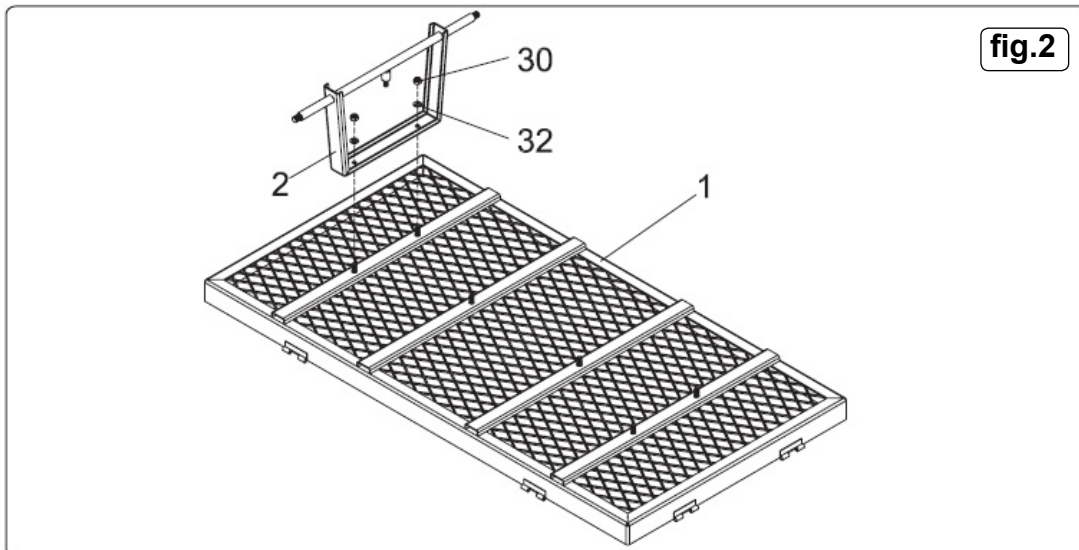
Model No:..... **CST806**  
Maximum load capacity:..... 450kg  
Wheel size: .....Ø300 x 90mm  
Internal size (length x width x depth):.... 1120 x 560 x 300mm  
Platform height:..... 390mm  
Overall height:..... 650mm



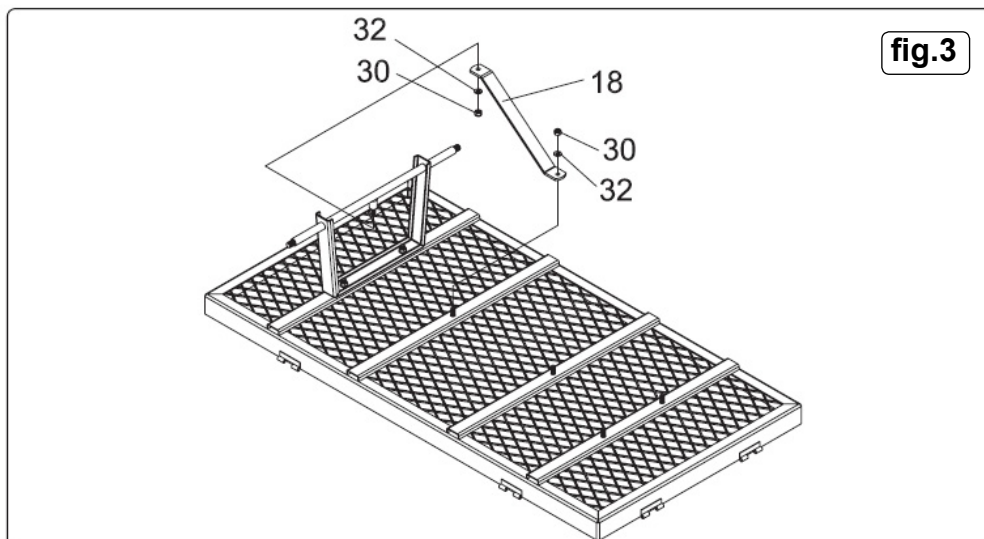
## 4. CONTENTS



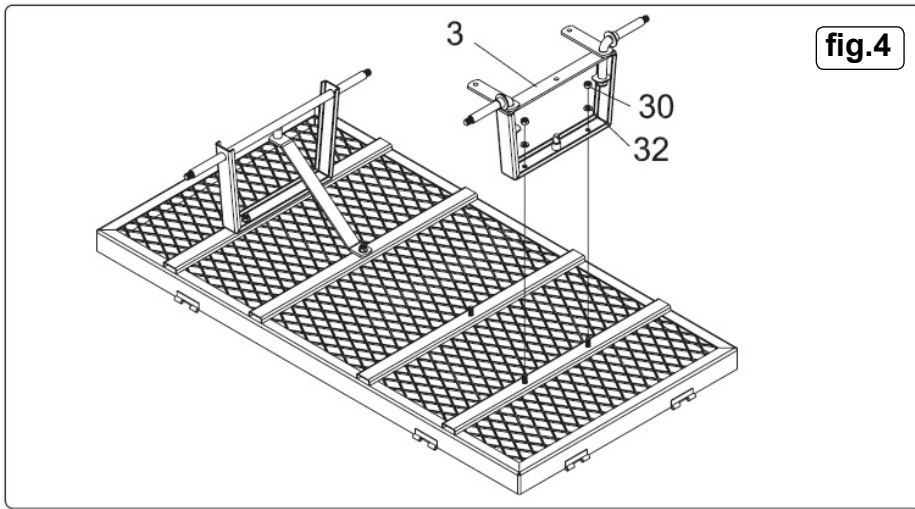
## 5. ASSEMBLY



- 5.1. Remove the contents from the packaging and check them against the contents list, fig.1. Ensure that all the parts are there and not damaged. If there are any problems contact your Sealey stockist.
- 5.2. **BACK WHEEL BRACKET ASSEMBLY Refer to fig.2 and A and B on Parts List on back page**
- 5.2.1. Attach the back wheel bracket assembly (2) to the bottom panel (1), using 2x8mm flat washers (32) and 2xM8 lock nuts (30).

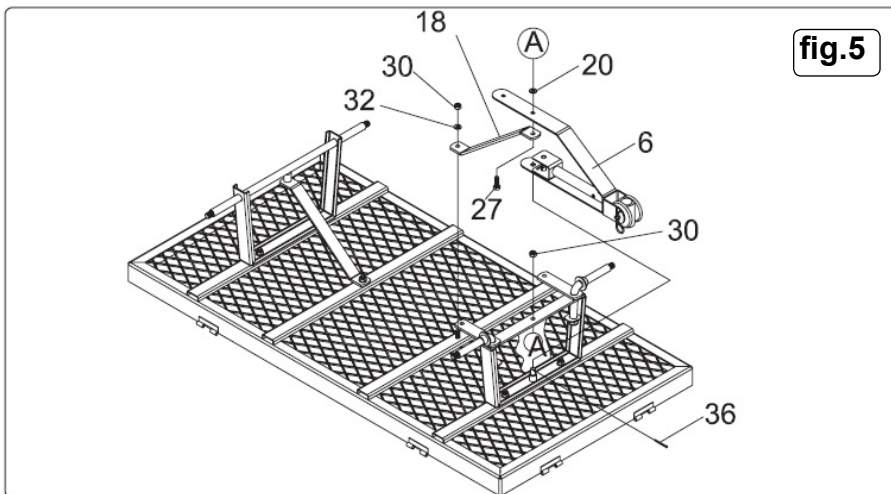


- 5.3. **BACK WHEEL SUPPORT BAR Refer to fig.3**
- 5.3.1. Attach the wheel support bar (18), to the back wheel bracket assembly (2) and to the bottom panel (1), using 8mm flat washers (32) and M8 lock nuts (30).



5.4. **FRONT WHEEL BRACKET ASSEMBLY** See fig.4

5.4.1. Attach the front wheel bracket assembly (3) to the bottom panel (1), using 8mm flat washers (32) and M8 lock nuts (30).



5.5. **FRONT SUPPORT BAR AND TURNING BRACKET** See fig.5 and parts list on back page

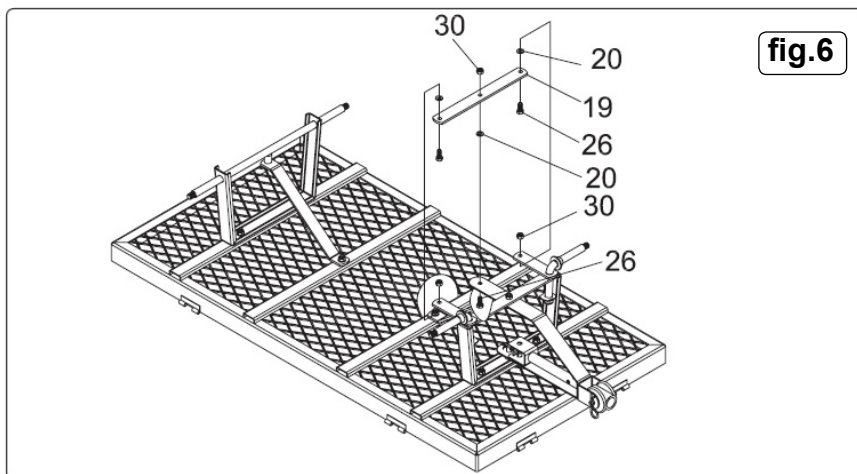
5.5.1. Connect turning bracket (6) onto front wheel bracket (3).

5.5.2. Place turning bracket (6) over boss (see A fig.5 and C on parts list on back page).

5.5.3. Secure with pin (36).

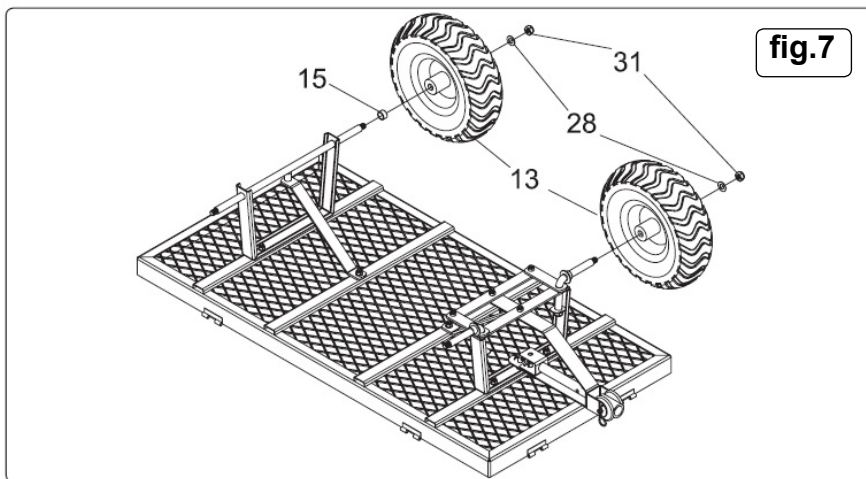
5.5.4. Connect bottom of turning bracket (6) to front wheel bracket (3) (see A on fig.5 and D and E on parts list on back page), using M8x25 bolt (27) and nylon washer (20) and M8 lock nut (30).

5.5.5. Fit wheel support bar (18) to bottom panel (1), using M8 flat washer (32) and M8 lock nut (30) and turning bracket (6) (see A on fig.5).



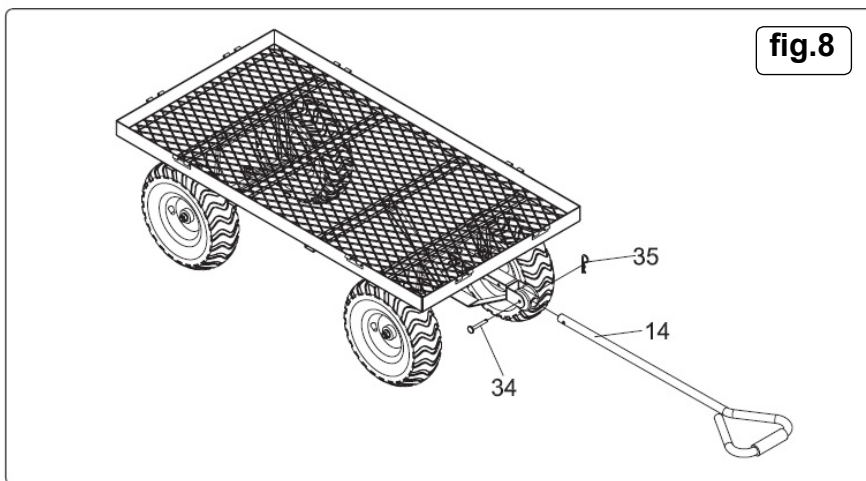
5.6. **FLAT PLATE ASSEMBLY** See fig.6 and F, G and H on parts list on back page

5.6.1. Place the flat plate (19) between the front wheel bracket (3) and the turning bracket (6) using M8x20 bolts (26), nylon washer (20) and M8 lock nuts (30).



5.7. **WHEEL ASSEMBLY** See fig.7

5.7.1. Fit spacer bush (15) onto both rear stub axles. (The front spacer bushes are fitted during manufacture). Fit wheels (13) onto each stub axle and retain with 12mm flat washer (28) and M12 lock nuts (31).

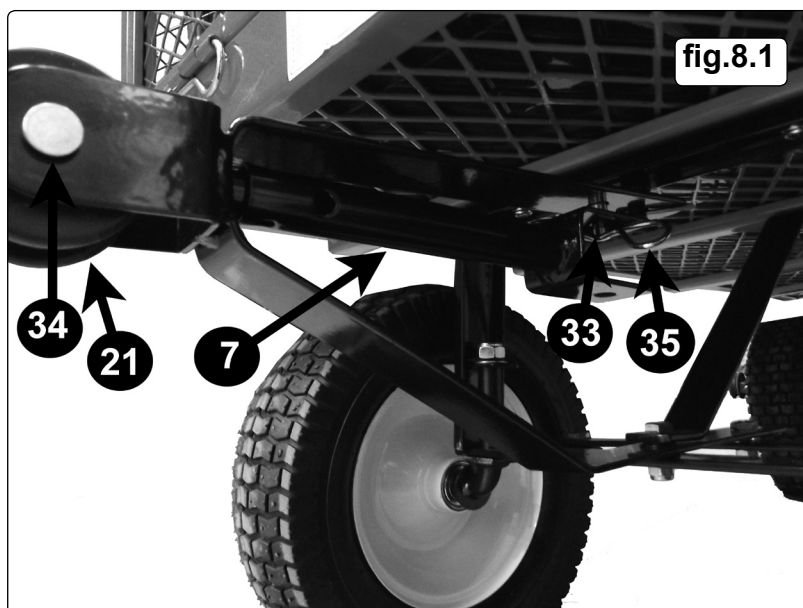


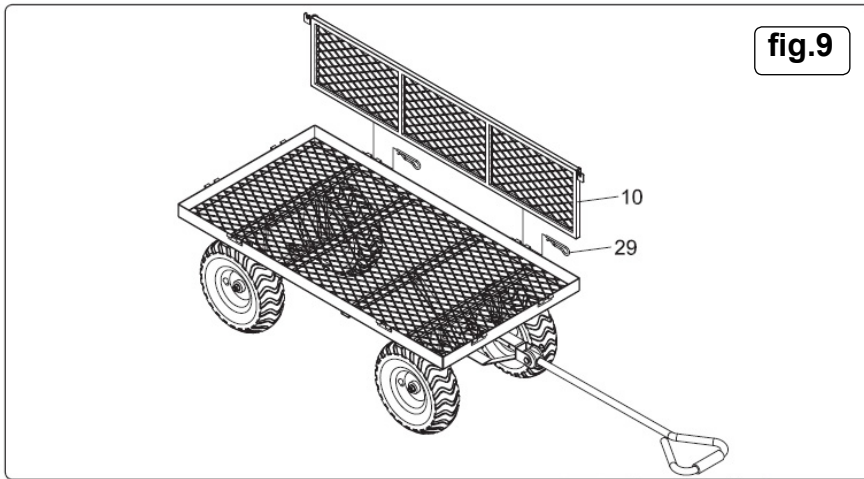
5.8. **HANDLE BAR ASSEMBLY/TOW BAR ASSEMBLY** See fig.8, fig.8.1 and parts list on back page for Tow bar

5.8.1. Seek assistance to turn the truck over so that it stands on its wheels.

5.8.2. Remove the R pin (35) pull out the pivot pin (34) and take out the handle connecting sleeve (21). Fit the handle bar (14) or if desired the tow bar (7). (The tow bar is stowed within the turning axle assembly), secured with connecting plate pin (33) and R pin (35).

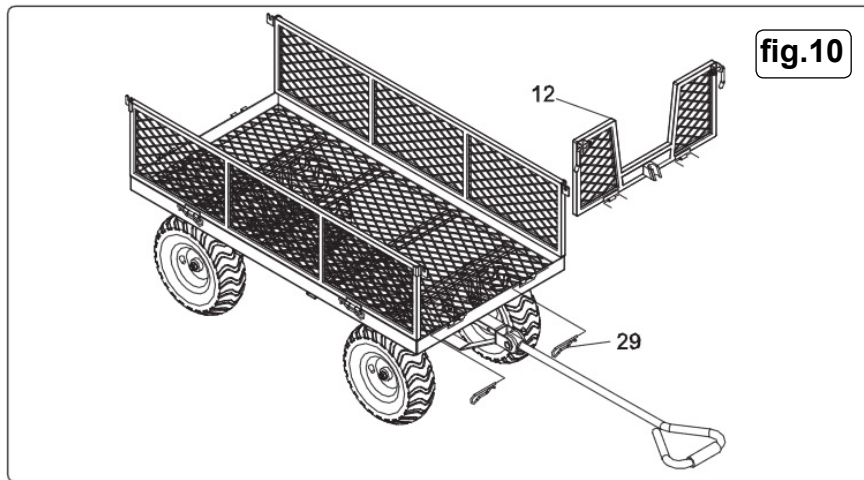
Feed the handle/tow bar (14/7) through the plastic connecting sleeve, line up the holes in the sleeve and the handle (14) or tow bar (7) with the turning axle assembly (6), insert the pivot pin (34) and secure with the R pin (35).





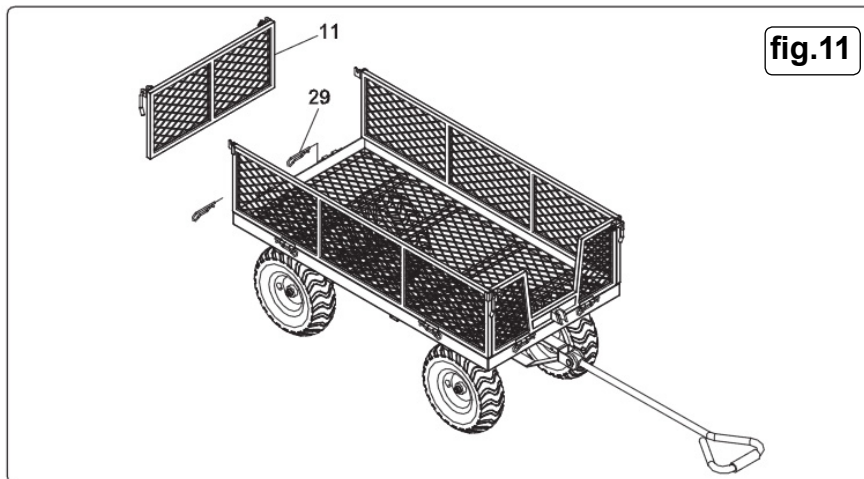
**5.9. LEFT AND RIGHT SIDE PANEL ASSEMBLY See fig.9**

- 5.9.1. Connect the hinges of the left and right side panels (10) and the hinges on the bottom panel (1) using 4xR pins (29).



**5.10. FRONT PANEL ASSEMBLY See fig.10**

- 5.10.1. Connect the hinge of the front panel (12) and the hinge of the bottom panel (1) using 2xR pins.



**5.11. BACK PANEL ASSEMBLY See fig.11**

- 5.11.1. Connect the hinges of the back panel (11) and the hinges of the bottom panel (1), using 2xR pins (29).

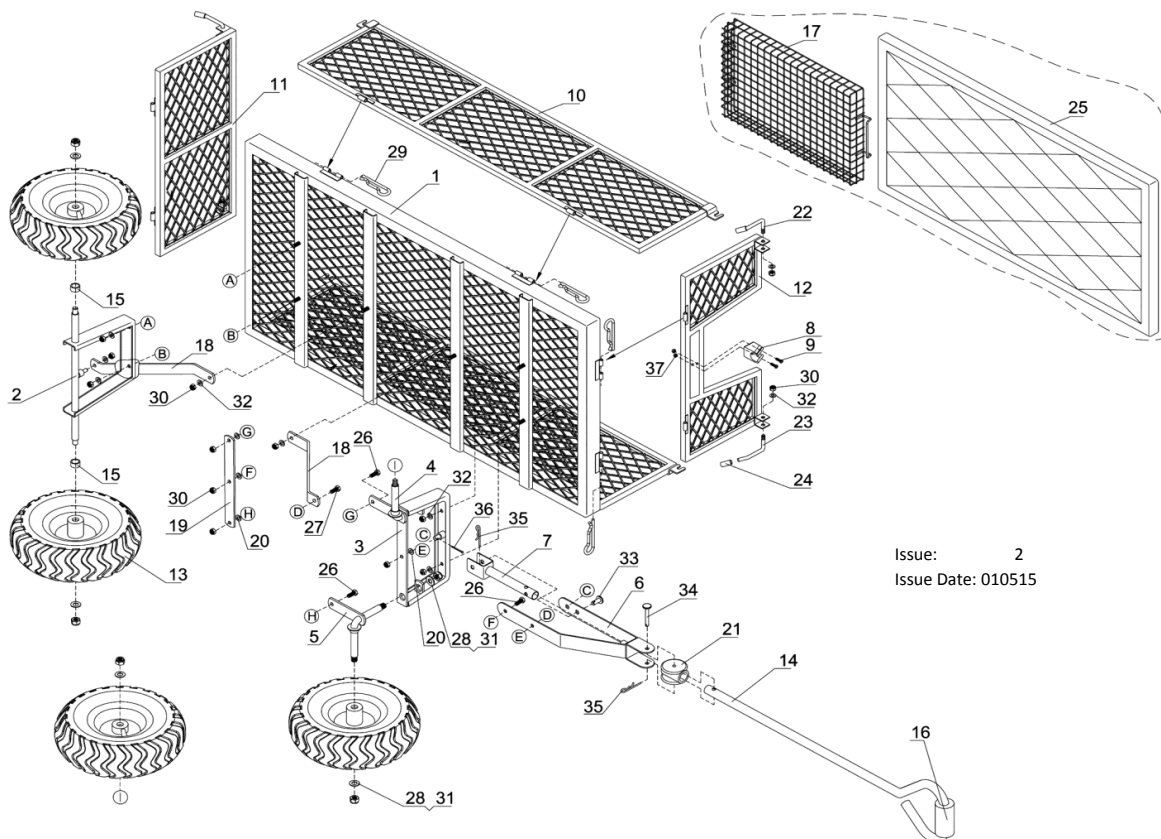
- 5.11.2. Place the liner (25) on the bottom panel (1) and the tool basket (17) across the side panels.

## 6. MAINTENANCE

- 6.1. Periodically check all fasteners for tightness.
- 6.2. Check tyre pressures on a regular basis. **DO NOT** over inflate them - recommended pressure is 25psi.
- 6.3. Regularly clean and lightly lubricate all moving parts.
- 6.4. Use genuine Sealey parts to replace any worn or damaged items.
- 6.5. **DO NOT** store material on the platform truck for extended periods of time.
- 6.6. Before storing the platform truck, make sure it is clean and dry. Store it in a safe, dry childproof location.



PARTS FOR  
PLATFORM TRUCK with SIDES PNEUMATIC TYRES  
MODEL : CST806



Issue: 2  
Issue Date: 010515

ITEM	PART NO	DESCRIPTION	ITEM	PART NO	DESCRIPTION
1	CST806.01	BOTTOM PANEL	20	CST806.20N	NYLON WASHER
2	CST806.02	BACK WHEEL BRACKET	21	CST806.21	HANDLE CONNECTING SLEEVE
3	CST806.03	FRONT WHEEL BRACKET	22	CST806.22	LOCK HANDLE (A)
4	CST806.04	AXLE TURNING ASS'Y (L.H)	23	CST806.23	LOCK HANDLE (B)
5	CST806.05	AXLE TURNING ASS'Y (R.H)	24	CST806.24	LOCK HANDLE SLEEVE
6	CST806.06	TURNING AXLE ASS'Y	25	CST806.25	PLATFORM
7	CST806.07	TOW BAR	26	CST806.26N	HEX BOLT (M8x20)
8	CST806.08N	CLAMP	27	CST806.27	HEX BOLT (M8x25)
9	CST806.09N	SCREW (M5x16)	28	CST806.28	FLAT WASHER (12mm)
10	CST806.10	LEFT & RIGHT SIDE PANEL	29	CST806.29	HINGE R-PIN
11	CST806.11	BACK PANEL	30	CST806.30	LOCK NUT (M8)
12	CST806.12	FRONT PANEL	31	CST806.31	LOCK NUT (M12)
13	CST806.13	PNEUMATIC WHEEL	32	CST806.32	FLAT WASHER (8mm)
14	CST806.14	HANDLE	33	CST806.33	CONNECTING PLATE PIN
15	CST806.15N	SPACER BUSHING	34	CST806.34	HANDLE PIN (8x60)
16	CST806.16	HANDLE GRIP	35	CST806.35	R-PIN
17	CST806.17	TOOL BASKET	36	CST806.36	COTTER PIN (3x30)
18	CST806.18	FRONT WHEEL BRACKET ASS'Y	37	CST806.37N	LOCK NUT (M5)
19	CST806.19	FLAT PLATE			

**Environmental Protection**



Recycle unwanted materials instead of disposing of them as waste. All tools, accessories and packaging should be sorted, taken to a recycling centre and disposed of in a manner which is compatible with the environment. When the product becomes completely unserviceable and requires disposal, drain off any fluids (if applicable) into approved containers and dispose of the product and the fluids according to local regulations.

**NOTE:** It is our policy to continually improve products and as such we reserve the right to alter data, specifications and component parts without prior notice.

**IMPORTANT:** No liability is accepted for incorrect use of this product.

**WARRANTY:** Guarantee is 12 months from purchase date, proof of which will be required for any claim.



Sole UK Distributor, Sealey Group,  
Kempson Way, Suffolk Business Park,  
Bury St. Edmunds, Suffolk,  
IP32 7AR



01284 757500



01284 703534



www.sealey.co.uk



sales@sealey.co.uk