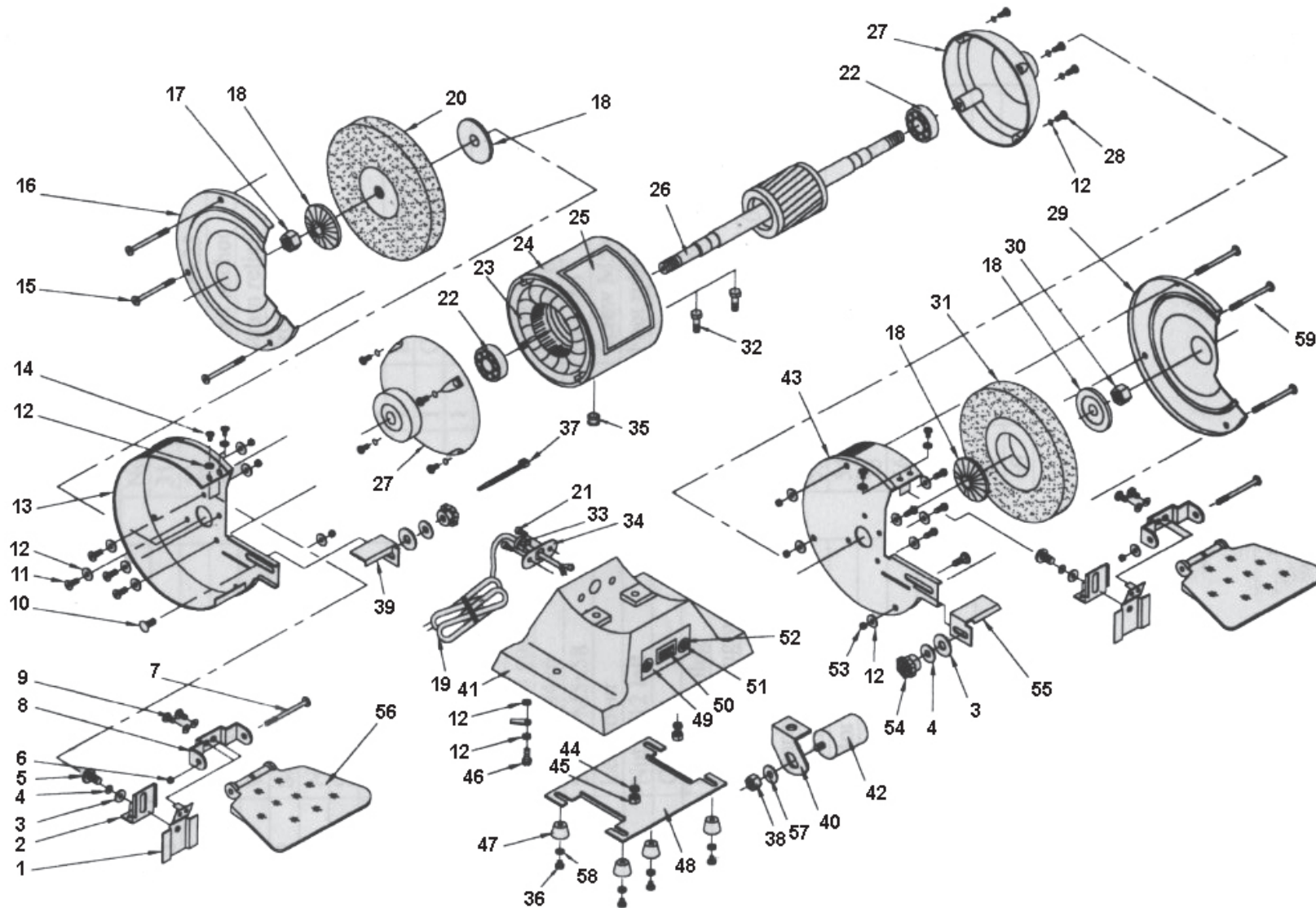




Parts Information:
Bench Grinder Ø150mm with Wire Wheel 450W/230V Heavy-Duty
Model No: BG150XW/99.V3



Sealey Group, Kempson Way, Suffolk Business Park, Bury St Edmunds, Suffolk. IP32 7AR



01284 757500



01284 703534



sales@sealey.co.uk



www.sealey.co.uk



Parts Information:
**Bench Grinder Ø150mm with Wire Wheel
450W/230V Heavy-Duty
Model No: BG150XW/99.V3**

Item	Part No.	Description
1	BG150XW99V301	EYESHIELD BRACKET
2	BG150XW99V302	BRACKET SUPPORT
3	RW619.S	REPAIR WASHER M6x19 (SINGLE)
4	FWM6.S	FLAT WASHER M6 SINGLE
5	MSP610.S	MACHINE SCREW PAN HEAD PHILLIPS M6x10mm (SINGLE)
6	SN4.S	STEEL NUT M4 ZINC DIN934 (SINGLE)
7	MSP455.S	MACHINE SCREW PAN HEAD PHILLIPS M4x55mm (SINGLE)
8	BG150XW99V308	EYESHIELD HOLDER
9	MSP46.S	MACHINE SCREW PAN HEAD PHILLIPS M4x6mm (SINGLE)
10	CBN616.S	COACH BOLT M6x16mm (SINGLE)
11	MSP510.S	MACHINE SCREW PAN HEAD PHILLIPS M5x10mm (SINGLE)
12	FWM5.S	FLAT WASHER M5 SINGLE
13	BG150XW99V313	LEFT WHEEL GUARD
14	MSP46.S	MACHINE SCREW PAN HEAD PHILLIPS M4x6mm (SINGLE)
15	MSP560.S	MACHINE SCREW PAN HEAD PHILLIPS M5x60mm (SINGLE)
16	BG150XW99V316	LEFT COVER, WHEEL GUARD
17	BG150XW99V317	NUT M12 LEFT
18	BG150XW99V318	WHEEL FLANGE
19	BG150XW99V319	CORD AND PLUG
20	BG150/15	GRINDING STONE 150x20mm 32(13)mm BORE A60P FINE
--	BG150/16	GRINDING STONE 150x20mm 32(13)mm BORE A36Q COARSE
21	BG150XW99V321	SCREW M5x6
22	BG150XW99V322	BEARING 80202zz
23	BG150XW99V323	STATOR
24	BG150XW99V324	MOTOR CASE
25	BG150XW99V325	LABEL
26	BG150XW99V326	ROTOR
27	BG150XW99V327	END CASING
28	BG150XW99V328	SCREW M5x16

Item	Part No.	Description
29	BG150XW99V329	RIGHT COVER, WHEEL GUARD
30	BG150XW99V330	NUT M12 LEFT
31	BG150/WW1	WIRE WHEEL 150 x 13mm 13mm BORE NARROW
--	BG150/WW2	WIRE WHEEL 150 x 20mm WIDE 13mm BORE
32	BG150XW99V332	BOLT M6x25
33	BG150XW99V333	CORD GRIP
34	BG150XW99V334	STRAIN RELIEF
35	BG150XW99V335	PROTECTION RING
36	MSP514.S	MACHINE SCREW PAN HEAD PHILLIPS M5x14mm (SINGLE)
37	BG150XW99V337	CABLE TIE
38	SN8.S	STEEL NUT M8 ZINC DIN934 (SINGLE)
39	BG150XW99V339	TOOL REST, LEFT
40	BG150XW99V340	CAPACITOR HOLDER
41	BG150XW99V341	BASE
42	BG150XW99V342	CAPACITOR
43	BG150XW99V343	RIGHT WHEEL GUARD
44	FWM6.S	FLAT WASHER M6 SINGLE
45	SN6.S	STEEL NUT M6 ZINC DIN934 (SINGLE)
46	BG150XW99V346	SCREW M5x8
47	BG150XW99V347	RUBBER FOOT
48	BG150XW99V348	BASE PLATE
49	BG150XW99V349	SWITCH LABEL
50	BG150XW99V350	SWITCH
51	MSP310.S	MACHINE SCREW PAN HEAD PHILLIPS M3x10mm (SINGLE)
52	FWM3.S	FLAT WASHER M3 SINGLE
53	SN5.S	STEEL NUT M5 ZINC DIN934 (SINGLE)
54	BG150XL/96-TF	TOOL REST FIXING COMPLETE
55	BG150XW99V355	TOOL REST, RIGHT
56	BG150XW99V356	EYESHIELD
57	FWM8.S	FLAT WASHER M8 SINGLE
58	FWM5.S	FLAT WASHER M5 SINGLE

NOTE: It is our policy to continually improve products and as such we reserve the right to alter data, specifications and component parts without prior notice.

IMPORTANT: No liability is accepted for incorrect use of product.

WARRANTY: Guarantee is 12 months from purchase date, proof of which will be required for any claim.

Sealey Group, Kempson Way, Suffolk Business Park, Bury St Edmunds, Suffolk. IP32 7AR



01284 757500



01284 703534



sales@sealey.co.uk



www.sealey.co.uk