



# STEP DRILL SCREW/BOLT EXTRACTOR SET

MODEL NO: **AK8187**

Thank you for purchasing a Sealey product. Manufactured to a high standard, this product will, if used according to these instructions, and properly maintained, give you years of trouble free performance.

**IMPORTANT:** PLEASE READ THESE INSTRUCTIONS CAREFULLY. NOTE THE SAFE OPERATIONAL REQUIREMENTS, WARNINGS & CAUTIONS. USE THE PRODUCT CORRECTLY AND WITH CARE FOR THE PURPOSE FOR WHICH IT IS INTENDED. FAILURE TO DO SO MAY CAUSE DAMAGE AND/OR PERSONAL INJURY AND WILL INVALIDATE THE WARRANTY. KEEP THESE INSTRUCTIONS SAFE FOR FUTURE USE.



Refer to instruction manual



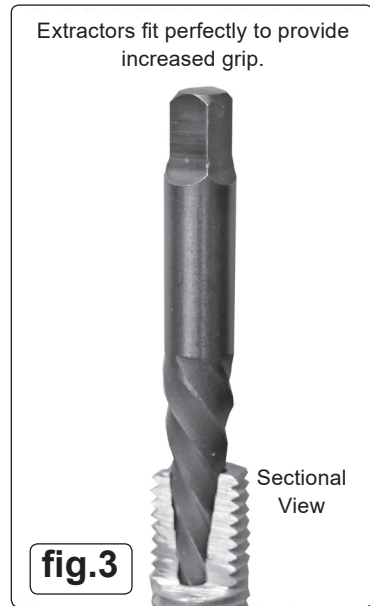
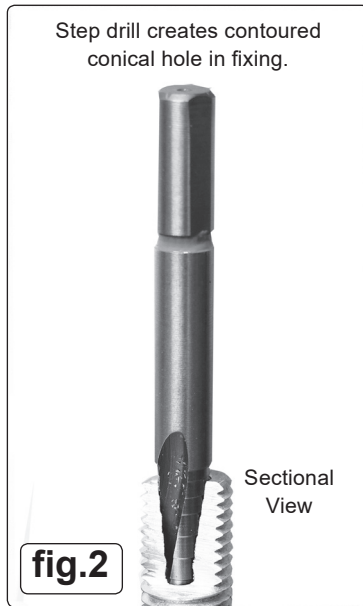
Wear protective gloves



Wear eye protection

| Screw/bolt size |              | Drill # | Extractor # |
|-----------------|--------------|---------|-------------|
| Metric          | Imperial     |         |             |
| M2.5 - M4       | 1/8" - 3/16" | 4 / 4.5 | 1           |
| M5 - M6         | 1/4"         | 5       | 2           |
| M7 - M8         | 5/16" - 3/8" | 5.5     | 3           |
| M10             | 7/16"        | 7.5     | 4           |
| M12 - M14       | 1/2" - 9/16" | 10      | 5           |

- 1 - Select appropriate drill and extractor bits from chart provided.
- 2 - Use step drill bit to drill screw / bolt shaft to a suitable depth in clockwise direction (fig.1, fig.2).
- 3 - Clear any swarf from area. Apply small amount of lubricant to screw / bolt shaft.
- 4 - Fit extractor bit to suitable wrench and enter hole from step 2, turning extractor in an anticlockwise direction (fig.3).
- 5 - The screw / bolt will unscrew from the tapped hole.



### ENVIRONMENT PROTECTION

Recycle unwanted materials instead of disposing of them as waste. All tools, accessories and packaging should be sorted, taken to a recycling centre and disposed of in a manner which is compatible with the environment. When the product becomes completely unserviceable and requires disposal, drain any fluids (if applicable) into approved containers and dispose of the product and fluids according to local regulations.

**Note:** It is our policy to continually improve products and as such we reserve the right to alter data, specifications and component parts without prior notice.

**Important:** No Liability is accepted for incorrect use of this product.

**Warranty:** Guarantee is 12 months from purchase date, proof of which is required for any claim.

Sealey Group, Kempson Way, Suffolk Business Park, Bury St Edmunds, Suffolk. IP32 7AR



01284 757500



01284 703534



sales@sealey.co.uk



www.sealey.co.uk