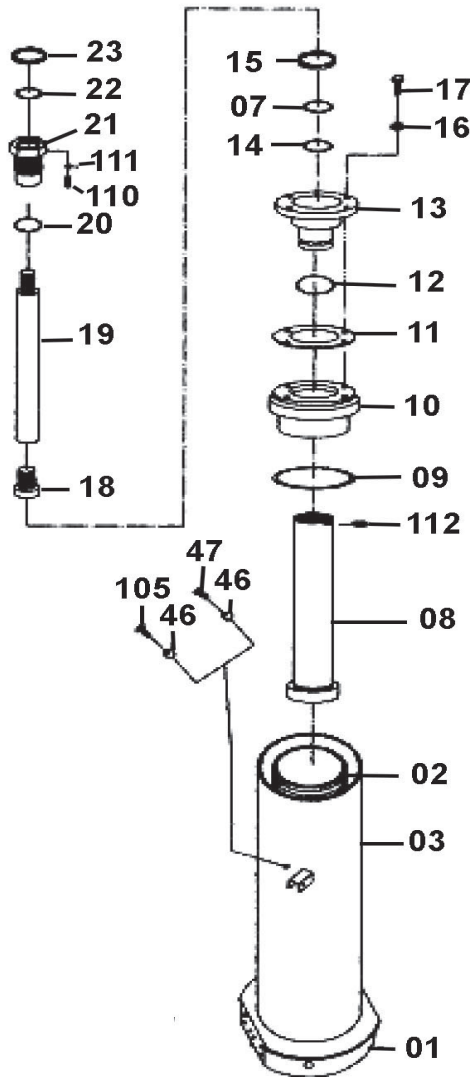


Parts Information:
**Transmission Jack 0.5tonne Vertical
 Telescopic
 Model No: 500TTJ.V2**

CYLINDER SET



Item	Part No.	Description
		CYLINDER SET
1-3	500TTJ.02	Cylinder Complete (inc parts 01 & 03)
7	500TTJ.07	O-Ring (65x5.7mm)
8	500TTJ.08	Ram
9	500TTJ.09	O-Ring (140x5.7mm)
10	500TTJ.10	Top Nut
11	500TTJ.11	Packing
12	500TTJ.12	O-Ring (65x3.1mm)
13	500TTJ.13	Flange
14	500TTJ.14	O-Ring (60x3.1mm)
15	500TTJ.15	Dust Seal
16	FWM10.S	Flat Wwaher M10 Single
17	SS1030.S	Hex Head Set Screw M10x30mm Single

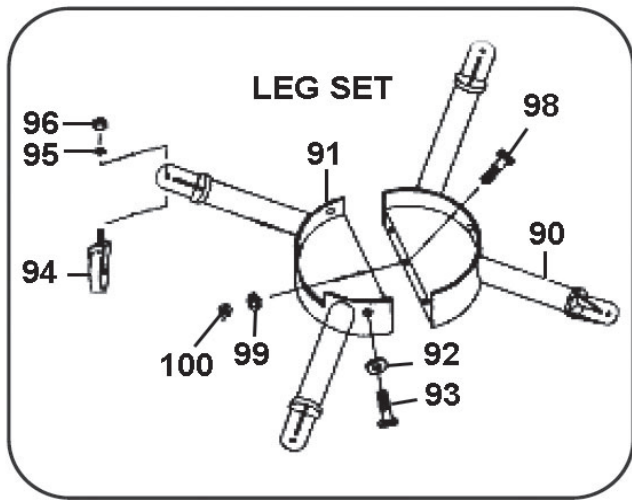
Item	Part No.	Description
18	500TTJ.18	Retainer Ram
19	500TTJ.19	Ram (Threaded End 30mm Diameter)
20	500TTJ.20	O-Ring (48x3.5mm)
21	500TTJ.21	Top Nut
22	500TTJ.22	O-Ring (41x3.5mm)
23	500TTJ.23	Dust Seal
46	500TTJ.46	O-Ring (14x2.4mm)
47	500TTJ.47	Air Vent Valve
105	500TTJ.105	Screw
110	GSM66.S	Grub Screw M6x6 (Single)
111	SB-4.7	Steel Ball 4.7mm
112	GSM56.S	Grub Screw M5x6 (Single)

NOTE: It is our policy to continually improve products and as such we reserve the right to alter data, specifications and component parts without prior notice.

IMPORTANT: No liability is accepted for incorrect use of product.

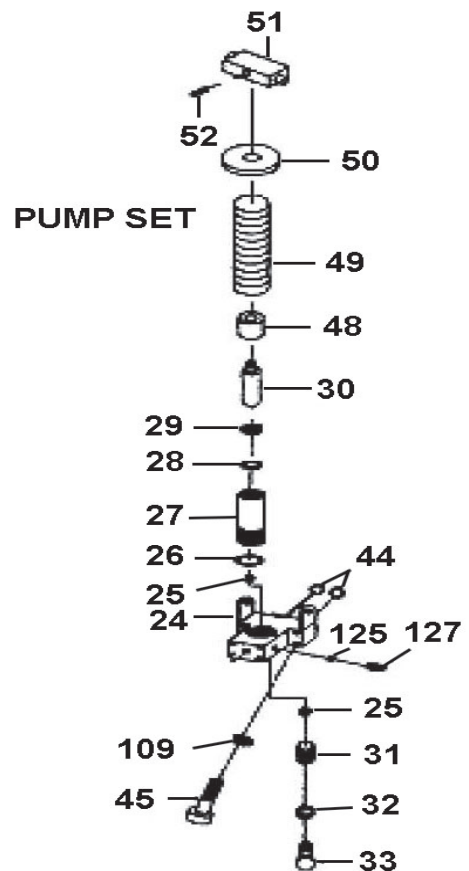
WARRANTY: Guarantee is 12 months from purchase date, proof of which will be required for any claim.

Parts Information:
**Transmission Jack 0.5tonne Vertical
 Telescopic
 Model No: 500TTJ.V2**



Item	Part No.	Description
		LEG SET
90	500TTJ.90	Leg Assembly
91	500TTJ.91	Leg Assembly
92	FWM12.S	Flat Washer M12 Single
93	SS1230.S	Hex Head Set Screw M12x30mm Single
94	500TTJ.94	Wheel,swivel castor,single bolt (D:88 W:36 B:10 H:140)
95	SWM12.SB	Spring Washer M12 Black (Single)
96	SN12.SD	Steel Nut M12 Domed (Single)
98	SS1230.S	Hex Head Set Screw M12x30mm Single
99	SWM10.SB	Spring Washer M10 Black (Single)
100	SN10.S	Steel Nut M10 Zinc DIN934 (Single)

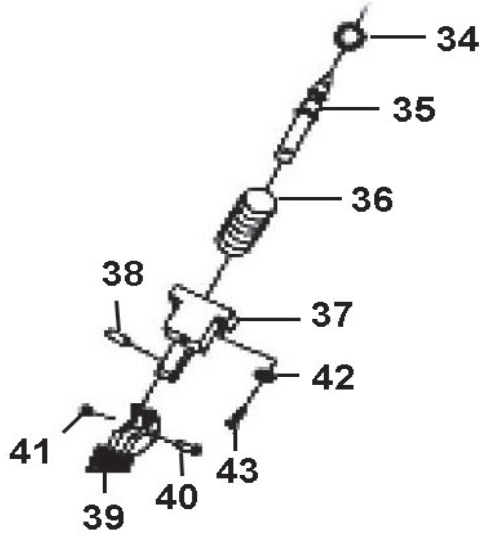
Item	Part No.	Description
		PUMP SET
24	500TTJ.P24	Pump Base
25	SB-79	Steel Ball 7.9mm
26	500TTJ.P26	Washer Copper M26 Thin
27	500TTJ.P27	Pump Cylinder
28	500TTJ.P28	O-Ring (36x3.5mm)
29	500TTJ.P29	Dust Seal
30	500TTJ.P30	Pump Piston
31	500TTJ.P31	Spring
32	500TTJ.P32	Washer Copper M12
33	500TTJ.P33	Bolt M12x14
44	500TTJ.P44	O-Ring (11x1.9mm)
45	SCB1055.SB	Socket Cap Bolt Black M10x55
48	500TTJ.P48	Dust Cap
49	500TTJ.P49	Spring
50	500TTJ.P50	Spring Retainer
51	500TTJ.P51	Connecting Rod
52	GSM810.SB	Grub Screw M8x10 (Black)
109	SWM10.SB	Spring Washer M10 Black (Single)
125	SB-6.4	Steel Ball 6.4mm
127	GSM810.S	Grub Screw M8x10 (Single)



NOTE: It is our policy to continually improve products and as such we reserve the right to alter data, specifications and component parts without prior notice.

IMPORTANT: No liability is accepted for incorrect use of product.

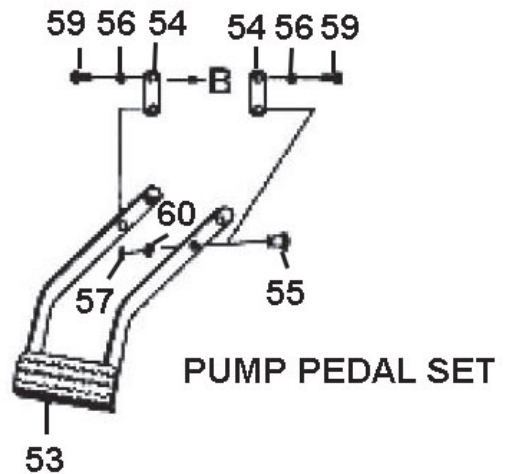
WARRANTY: Guarantee is 12 months from purchase date, proof of which will be required for any claim.



Item	Part No.	Description
		RELEASE VALVE SET
34	500TTJ.RV34	O-ring, (Ex: 12.81 In: 9.25 Cs: 1.78)
35	500TTJ.RV35	Release Valve Rod
36	500TTJ.RV36	Spring Dia 17.05mm
37	500TTJ.RV37	Valve
38	500TTJ.RV38	Pin 6x32mm
39	500TTJ.RV39	Pedal Release Valve
40	500TTJ.RV40	Pin
41	500TTJ.RV41	E-Clip 6mm ID.
42	SWM6.SB	Spring Washer M6 Black (Single)
43	SCB625.SB	Socket Head Cap Screw M6x25 Black

RELEASE VALVE SET

Item	Part No.	Description
		PUMP PEDAL SET
53	500TTJ.PP53	Pedal Pump Piston
54	500TTJ.PP54	Link
55	500TTJ.PP55	Cotter Link 14x20mm
56	FWM8.S	Flat Washer M8 Single
57	500TTJ.PP57	Cotter Pin 3.0 x 25
--	500TTJ.PP58	Shaft (Not Shown)
59	SS812.S	Hex Head Set Screw M8x12mm Single
60	500TTJ.PP60	Circlip
--	500TTJ.101	Handle (Not Shown)
--	500TTJ.102	Grip (Not Shown)
--	SS1045.S	Hex Head Set Screw M10x45mm Single (Not Shown)
--	500TTJ.107	HANDLE (Not Shown)
--	500TTJ.FK	FIXING KIT (Not Shown)



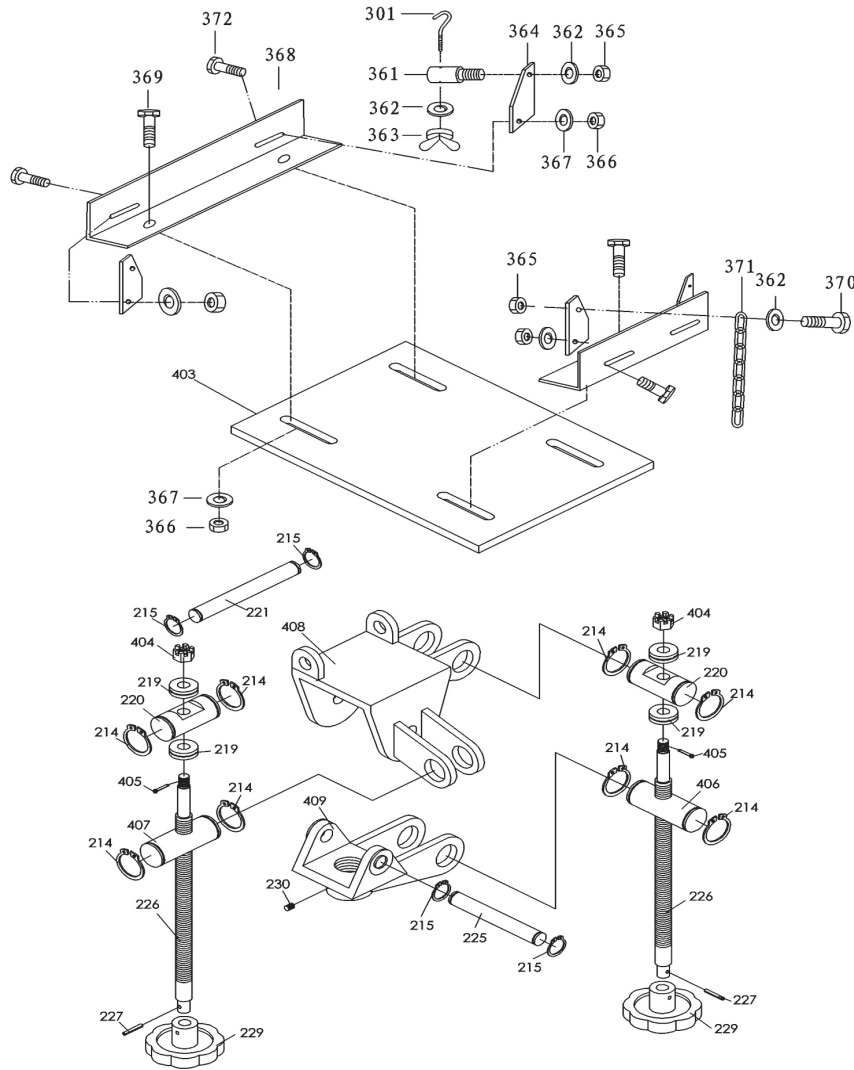
PUMP PEDAL SET

NOTE: It is our policy to continually improve products and as such we reserve the right to alter data, specifications and component parts without prior notice.

IMPORTANT: No liability is accepted for incorrect use of product.

WARRANTY: Guarantee is 12 months from purchase date, proof of which will be required for any claim.

Parts Information: Transmission Jack 0.5tonne Vertical Telescopic Model No: 500TTJ.V2



Item	Part No.	Description
214	800TTJ.214	Ext Circlip 25.6mm Id.
215	MC4500.P5	Ext Circlip 14.5mm ID.
219	B/51101	Bearing Race 51101
220	800TTJ.220	Adjustment Pin
221	800TTJ.221	Pin
225	800TTJ.225	Pin
226	800TTJ.226	Tilt Screw
227	800TTJ.227	Spring Pin M4 x 25
229	800TTJ.229	Tilt Screw Grip
230	GSM810.S	Grub Screw M8 x 10 (Single)
301	800TTJ.301	Hook Bolt
361	800TTJ.361	Hook Bolt Pin
362	FWM8.S	Flat Washer M8 Zinc
363	SN8.SW	Wing Nut M8 Zinc
364	800TTJ.364	Side Angle

Item	Part No.	Description
365	SN8.S	Steel Nut M8 Zinc
366	SN10.S	Steel Nut M10 Zinc
367	800TTJ.367	Washer
368	800TTJ.368	Side Plate
369	SS1025.S	Hex Head Set Screw M10 x 25 Zinc
370	SS825.S	Hex Head Set Screw M8 x 25 Zinc
371	800TTJ.371	Chain
372	SS1025.S	Hex Head Set Screw M10 x 25 Zinc
403	800TTJ.403	Saddle Plate
404	800TTJ.404	Castle Nut
405	800TTJ.405	Split Pin
406	800TTJ.406	Adjustment Pin
407	800TTJ.407	Adjustment Pin
408	800TTJ.408	Saddle Base, Upper
409	800TTJ.409	Saddle Base, Lower

NOTE: It is our policy to continually improve products and as such we reserve the right to alter data, specifications and component parts without prior notice.

IMPORTANT: No liability is accepted for incorrect use of product.

WARRANTY: Guarantee is 12 months from purchase date, proof of which will be required for any claim.