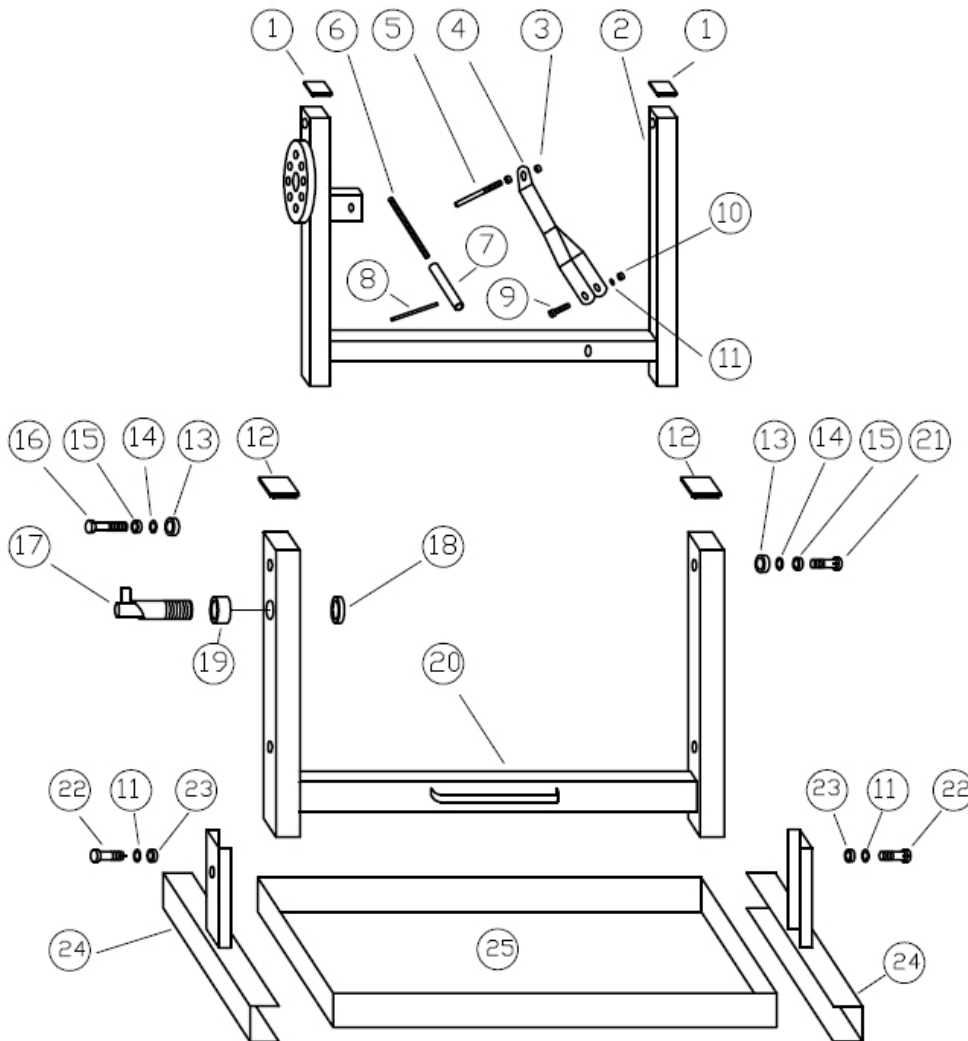


Parts Information:  
**Motorcycle Engine Stand - Single/Twin  
 Cylinder**  
**Model No: MES01**



Item	Part No.	Description
1	MES01.01	END CAP
2	MES01.02	MOVABLE FRAME
3	SN10.S	STEEL NUT M10 ZINC DIN934(SINGLE)
4	MES01.04	ENGINE CRADLE
5	MES01.05	SCREW
6	MES01.06	SCREW
7	MES01.07	SUPPORT TUBE
8	MES01.08	ROD
9	MES01.09	SCREW
10	SN8.S	STEEL NUT M8 ZINC DIN934 (SINGLE)
11	MES01.11	WASHER 8mm
12	MES01.12	END CAP
13	SN10.S	STEEL NUT M10 ZINC DIN934(SINGLE)

Item	Part No.	Description
14	MES01.14	WASHER 10mm
15	MES01.15	SLEEVE
16	HHB1075.S	HEX HEAD BOLT M10x75mm SINGLE
17	MES01.17	RATCHET SET
18	SN20.S	STEEL NUT M20 ZINC DIN934(SINGLE)
19	SN20.S	STEEL NUT M20 ZINC DIN934(SINGLE)
20	MES01.20	FIXED FRAME
21	MES01.21	BOLT
22	MES01.22	BOLT (M8x30)
23	SN8.S	STEEL NUT M8 ZINC DIN934 (SINGLE)
24	MES01.24	SIDE FOOT
25	MES01.25	COLLECTION TRAY

**NOTE:** It is our policy to continually improve products and as such we reserve the right to alter data, specifications and component parts without prior notice.

**IMPORTANT:** No liability is accepted for incorrect use of product.

**WARRANTY:** Guarantee is 12 months from purchase date, proof of which will be required for any claim.